



*Subsidiary of Federal Signal Corporation*

# **Crysteel Price Book MSRP**

**Prices Effective August 26, 2018**

**[www.crysteel.com](http://www.crysteel.com)**

**[sales@crysteel.com](mailto:sales@crysteel.com)**

**800-533-0494**





800-533-0494  
 sales@crysteel.com

**Crysteel Manufacturing Contact Information**  
**Crysteel & TBEI Corporate Contacts**  
 Updated 11-26-18

**TBEI / Crysteel Administration, Marketing**

Name	Title	Phone	Email
Brett Hart	Lake Crystal General Manager	507-726-4334	bhart@tbei.com
Doug Hauck	TBEI VP of Distribution Sales	701-776-5722 Ext. 2402	dhauck@tbei.com
Tim Dow	TBEI VP of Distribution Sales	507-382-4372	tdow@tbei.com
Ashley Pace	TBEI Marketing Manager	205-900-7132	apace@tbei.com

**Crysteel Customer Service**

Name	Title	Phone	Email
Sandy Elkins	Crysteel Customer Service Manager	800-533-0494 ext. 330	selkins@tbei.com
Jen Klossner	Crysteel Inside Sales	800-533-0494 ext. 316	sales@crysteel.com
Jon Overland	Crysteel Inside Sales	800-533-0494 ext. 325	sales@crysteel.com
Josh Schroeder	Crysteel Inside Sales	800-533-0494 ext. 371	sales@crysteel.com

**Crysteel Engineering, Warranty**

Name	Title	Phone	Email
Steve Lee	Crysteel Engineering Manager	507-726-4353	slee@tbei.com
Don Wolle	Crysteel Warranty	507-726-4335	dwolle@tbei.com

**TBEI / Crysteel Finance**

Name	Title	Phone	Email
Rhonda Harris	Lake Crystal Controller	507-726-4313	rharris@tbei.com
Jane Hanson	TBEI Accounts Receivable	507-726-4314	jhanson@tbei.com

**Crysteel Outside Sales**

Name	Title	Phone	Email
Chris Roach	Territory Manager for NY, VT, NH, MA, RI, ME and CT (US) QC and ON (Canada)	507-766-2583	croach@tbei.com
Rick Bivens	Territory Manager for OH, WV, VA, PA, MD, NJ, DE, and KY	610-909-4273	lrross@tbei.com
Douglas Street	Territory Manager for MN, WI, ND, SD and MI (US) SK and MB (Canada)	507-382-8498	dstreet@tbei.com
Steve Karl	Territory Manager for WA, OR, ID, MT, WY, and AK (US) BC and AB (Canada)	253-709-7578	skarl@tbei.com
Paul Juel	Territory Manager for TN, MS, AL, GA, SC, NC and FL	865-310-5811	dwelch@tbei.com
Mike Schaum	Territory Manager for KS, TX, OK, AR and LA	507-995-8640	mschaum@tbei.com
Kevin Minino	Territory Manager for NE, IA, IL, IN and MO	815-483-9841	jstansbury@tbei.com
Matt Pebley	Territory Manager for CA, NV, UT, CO, AZ and HI	310-569-5050	mpebley@tbei.com



**(800) 533-0494**  
**sales@crysteel.com**

## Table of Contents

Lo-Boy Conversion Hoists	1	Paradox Bodies	20
Lo-Boy Subframe Hoists	2-3	Paradox RoxBox Bodies	21
RollerCombo <sup>®</sup> Subframe Hoists	4	Raptor Bodies	22
StingRay Conversion Hoists	5	RipRaptor Bodies	23
Hy-Flo <sup>™</sup> Twin Electric Power Unit	6	Select Bodies – 10-15 Yd Bodies	24
Turbo Telescopic Hoist	7	Select Bodies – 15-20 Yd Bodies	25
Marathon Telescopic Hoist	8	Select Bodies – 15-20 Yd Elliptical Bodies	26
Mailhot <sup>®</sup> Hoists	8	High 'N Slide <sup>™</sup> Tailgate	27
Universal Hoist Control Tower	9	Stainless Steel Tailgate Spreader	28
Landscape Tipper	10	Paint Options	29
Aluminum Landscape Bodies	11	Paint Options Description Page	
Grain Tipper	12	Dump Body Accessories	30
E-Tipper Carbon Steel Dump Bodies	13	Gate Saver Tailgate	30
E-Tipper Options	14	E-Series Tarps	31
S-Tipper Stainless Steel Dump Bodies	15	Poly Side Boards	32
Stainless Steel Finish Options Page		E-Series Hitch Plates	33
A-Tipper Aluminum Dump Bodies	16	Patchgates	34
Deuce Dump Bodies	17	Spillshields	34
SD & HD Contractor Bodies	18	Cabshields	35
Select Bodies – 5-10 Yard Bodies	19	Ladders	36



800-533-0494  
 sales@crysteel.com

### Lo-Boy® Conversion Hoists

- Electric models include push button control with 10' cord, but do not include battery cable or ground strap
- All cylinders are double acting
- NOTE: Replacement parts for current hoist are NOT compatible with old Lo-Boy Models (407, 507, 545, 645, & 655)
- Part number listed below the price

Hoist Model	NTEA Class	Wt** (lbs)	Recomm ended Body Length (ft)	PSI	Hoist Price / Part Number	Installation Options			Hydraulic Options				S/A Electric Pkg Price w/out Subframe
						Rear Hinge	Install Carton	Subframe, Rear Hinge, Install Carton	Direct Mount for GM, Dodge 11 tooth*	Direct Mount for Ford	S/A Electric	D/A Electric	
B-5 (Bert)	B	490	8-12	3250	\$1,472 1624677	\$173 1621645	\$182 1625116		\$1,334 1645686	\$1,331 1744602	\$581 1645360	\$675 1645359	\$2,408
C-8 (Charlie)	C	510	8-14	3250	\$1,569 1624894	\$173 1621645	\$182 1625116	\$867 1625143	\$1,334 1645686	\$1,331 1744602	\$581 1645360	\$675 1645359	\$2,505
D-9 (Daniel)	D	540	8-14	3250	\$1,611 1624567	\$173 1621645	\$182 1625116		\$1,334 1645686	\$1,331 1744602	\$581 1645360	\$675 1645359	\$2,547
D-10 (David)	D	620	9-15	3250	\$1,760 1624212	\$258 1621587	\$174 1625117	\$1,046 1625144	\$1,244 1645701		\$584 1645703	\$681 1645706	\$2,776
E-15 (Ernie)	E	660	10-16	3250	\$1,989 1624263	\$258 1621587	\$174 1625117	1625144	\$1,244 1645701			\$681 1645706	\$3,102 EDA pkg
F-18 (Floyd)	F	840	12-18	3250	\$2,369 1624673	\$258 1621587	\$185 1625118	\$984 1884742	\$1,259 1645702			\$681 1645707	\$3,493 EDA pkg
ST4000***	H	1155	14-20	4000	\$3,789 1823960	\$417 1622937	\$240 1823956		\$1,449 1747298				\$5,895 DM pkg

\*B-5, C-8, D-9 have 11-tooth spline and fit Chelsea 249 PTO w/AD output; for Muncie FR66, output 'N', 13 tooth  
 \*D-10, E-15, F-18, ST4000 have 13 tooth spline  
 \*\* Weights based on direct mount packages  
 \*\*\*ST4000 Hoist will have all hoses installed at the factory.  
 Subframe Lengths: 1625143 = 127.68"  
 1625144 = 13' or 156"

**Freight to Warehouse Charge Per Hoist: 3% of total package cost**  
**Freight to warehouse charge does not include shipping charges from warehouse to your location.**

Lo-Boy Conversion Hoist Accessories		
1621600	Remote Mount Kit 24" Drive Shaft for D-10 thru ST4000 (N/A for B-5, C-8, D-9)	\$375
1622188	Valve Shift Kit for B-5, C-8, D-9 (Cable Not Included)	\$147
1622411	Valve Shift Kit for D-10 thru ST4000 (Cable Not Included)	\$125
1621995	Valve Air Shift Kit for D-10 thru ST4000 (N/A for B-5, C-8, D-9)	\$746
1621626	Valve Cable Pull Off Kit; D-10 thru ST4000 (Prince Valve)(Cable N/I) (N/A for B-5, C-8, D-9)	\$243
1645817	Hydraulic Kit (Valve Air Shift) (D-10, E-15)	\$1,782
1645710	Hydraulic Kit (Valve Air Shift) (F-18)	\$1,797
1645351	Hydraulic Kit (Valve Air Shift) (ST4000)	\$1,964
1621994	Return Line Filter Kit for D-10 thru ST4000 (N/A for B-5, C-8, D-9)	\$330
1623237	150 amp Circuit Breaker for Electric Hydraulic Packages	\$72
1735863	Bucher solenoid operated control for valve - Hydraulic Kit (Electric Valve) for B-5, C-8, D-9	\$1,779
1735864	Bucher solenoid operated control for valve - Hydraulic Kit (Electric Valve) for D-10, E-15	\$1,752
1735865	Bucher solenoid operated control for valve - Hydraulic Kit (Electric Valve) for F-18	\$1,673



800-533-0494  
 sales@crysteel.com

## Lo-Boy® Subframe Hoists

### STANDARD FEATURES:

- Double acting cylinders
- Full-Length subframe
- Part number appears below price
- Weights based on direct mount packages

### The Municipal

The Municipal includes greaseable Hoist and subframe. Ideal for corrosive environments.

Hoist Model	NTEA Class	Wt (lbs)	Recomm ended Body Length	PSI	Hoist		Install Carton	Hydraulic Options				S/A Electric Package Price	
					Hoist and Subframe	Municipal		Direct Mount for GM & Dodge* 11 tooth	Direct Mount for Ford** 11 tooth	S/A Electric	D/A Electric		
<b>LB 400</b>	B	496#	8-12	3250	\$1,872	\$1,800	\$87 1622874	\$1,263 1744600	\$1,230 1744604	\$513 1645623	\$609 1645624	\$2,472	
45° dump angle with subframe for 10' body					1621583	1444367		\$1,251 1744601	\$1,217 1744605	\$507 1645628	\$600 1645629	\$2,430	
<b>LB 400</b>	10	486#	8-12	3250	\$1,836	\$1,766		\$1,263 1744600	\$1,230 1744604	\$513 1645623	\$609 1645624	\$2,439	
50° dump angle with subframe for 8' body					1621738	1444368		\$1,263 1744600	\$1,230 1744604	\$513 1645623	\$609 1645624	\$2,463	
<b>LB 400</b>	10	491#	8-12	3250	\$1,845	\$1,779							
50° dump angle with subframe for 9' body					1622888	1444369							
<b>LB 400</b>	10	496#	8-12	3250	\$1,869	\$1,794							
50° dump angle with subframe for 10' body					1622889	1444370							
<b>LB 500</b>	C	551#	8-14	3250	\$1,964	\$1,880	\$87 1622874	\$1,263 1744600	\$1,230 1744604	\$513 1645623	\$609 1645624	\$2,564	
45° dump angle with subframe for 10' body					1621758	1444371		\$1,251 1744601	\$1,217 1744605	\$507 1645628	\$600 1645629	\$2,526	
<b>LB 500</b>	20	541#	8-14	3250	\$1,932	\$1,862		\$1,263 1744600	\$1,230 1744604	\$513 1645623	\$609 1645624	\$2,547	
50° dump angle with subframe for 8' body					1622113	1444372		\$1,263 1744600	\$1,230 1744604	\$513 1645623	\$609 1645624	\$2,561	
<b>LB 500</b>	20	546#	8-14	3250	\$1,953	\$1,874		\$1,263 1744600	\$1,230 1744604	\$513 1645623	\$609 1645624	\$2,564	
50° dump angle with subframe for 9' body					1621741	1444373		\$2,040 1622891	\$1,970 1444375				\$2,640
<b>LB 500</b>	20	550#	8-14	3250	\$1,961	\$1,878							
50° dump angle with subframe for 9'6" body					1629318	1467536							
<b>LB 500</b>	20	551#	8-14	3250	\$1,964	\$1,893							
50° dump angle with subframe for 10' body					1621743	1444374							
<b>LB 500</b>	20	556#	8-14	3250	\$2,040	\$1,970							
50° dump angle with subframe for 11' body					1622891	1444375							

\* Fits Chelsea 249 PTO w/AD Output, Muncie PTO 'T' Output

Subframe Lengths are 5" shorter than length listed.

\*\* Fits Muncie FR66 PTO 'N' Output

Lo-Boy Subframe Hoist Accessories		
1735866	Bucher solenoid operated control for valve (push button control) - Hydraulic Kit (Electric Valve) for LB 400, LB 500, LB 510	\$1,695
1735867	Bucher solenoid operated control for valve (push button control) - Hydraulic Kit (Electric Valve) for LB 400, LB 500, LB 510	\$1,707
1623237	150 amp Circuit Breaker for Electric Hydraulic Packages	\$72
1735868	HYD KIT DM EL VT - 4 GPM 9QT UB L520 11 (Valve/Tank Combination)	\$1,782
	Quick Install Hoist with ESA or EDA Hydraulics (hoses are plumbed on hoist)	\$105

Prices Effective August 26, 2018  
 All Prices and Specifications  
 Subject to Change Without Notice



800-533-0494

sales@crysteel.com

**Lo-Boy® Subframe Hoists**

**STANDARD FEATURES:**

- Double acting cylinders
- Full-Length subframe
- Part number appears below price
- Weights based on direct mount packages

**The Municipal**

The Municipal includes the greaseable Hoist and subframe. Ideal for corrosive environments.

Hoist Model	NTEA Class	Wt (lbs)	Recommen ded Body Length (ft)	PSI	Hoist		Install Carton	Hydraulic Options				S/A Electric Package Price				
					Hoist and Subframe	Municipal		Direct Mount for GM & Dodge*	Direct Mount for Ford**	S/A Electric	D/A Electric					
LB 510	C	611	8-14	3250	\$2,006	\$1,932	\$87 1622874	\$1,263	\$1,230	\$513	\$609	\$2,606				
45° dump angle with subframe for 10' body					1622050	1444376		1744600	1744604	1645623	1645624					
LB 510	30	601	8-14	3250	\$1,974	\$1,935		\$98 1622935	\$1,251	\$1,217	\$507	\$600	\$2,568			
50° dump angle with subframe for 8' body					1622893	1444377			1744601	1744605	1645628	1645629				
LB 510	30	606	8-14	3250	\$1,994	\$1,959			\$98 1622935	\$1,263	\$1,230	\$513	\$609	\$2,588		
50° dump angle with subframe for 9' body					1622742	1444378				1744600	1744604	1645623	1645624			
LB 510	30	610	8-14	3250	\$2,003	\$1,932				\$98 1622935	\$1,388	\$1,353	\$708	\$609	\$2,603	
50° dump angle with subframe for 9'6" body					1627200	1739177					1744603	1744607	1645626	1645626		
LB 510	30	611	8-14	3250	\$2,006	\$1,935					\$98 1622935	\$1,388	\$1,353	\$708	\$609	\$2,606
50° dump angle with subframe for 10' body					1622894	1396776						1744603	1744607	1645626	1645626	
LB 510	30	616	8-14	3250	\$2,036	\$1,965	\$98 1622935					\$1,388	\$1,353	\$708	\$609	\$2,636
50° dump angle with subframe for 10' body					1622894	1396776						1744603	1744607	1645626	1645626	
LB 510	30	623	8-14	3250	\$2,102	\$2,031		\$98 1622935				\$1,388	\$1,353	\$708	\$609	\$2,702
50° dump angle with subframe for 11' body					1622895	1444380						1744603	1744607	1645626	1645626	
LB 510	30	623	8-14	3250	\$2,102	\$2,031			\$98 1622935			\$1,388	\$1,353	\$708	\$609	\$2,702
50° dump angle with subframe for 12' body					1622858	1444381						1744603	1744607	1645626	1645626	
LB 520	D	838	9-16	3250	\$2,756	\$2,678				\$98 1622935		\$1,365	\$1,331	\$708	\$3,562	\$3,562
45° dump angle with subframe for 10' body					1622703	1444382						1423709	1744606	1645358	1645358	
LB 520	D	868	9-16	3250	\$2,826	\$2,610					\$98 1622935	\$1,365	\$1,331	\$708	\$3,562	\$3,649
45° dump angle with subframe for 14' body					1622714	1444383						1744603	1744607	1645626	1645626	
LB 520	40	868	9-16	3250	\$2,696	\$2,618	\$98 1622935					\$1,365	\$1,331	\$708	\$3,562	\$3,502
50° dump angle with subframe for 9' body					1622897	1444384						1423709	1744606	1645358	1645358	
LB 520	40	868	9-16	3250	\$2,756	\$2,678		\$98 1622935				\$1,365	\$1,331	\$708	\$3,562	\$3,562
50° dump angle with subframe for 10' body					1622898	1444385						1423709	1744606	1645358	1645358	
LB 520	40	868	9-16	3250	\$2,778	\$2,700			\$98 1622935			\$1,365	\$1,331	\$708	\$3,562	\$3,584
50° dump angle with subframe for 11' body					1622899	1444386						1423709	1744606	1645358	1645358	
LB 520	40	868	9-16	3250	\$2,804	\$2,726				\$98 1622935		\$1,365	\$1,331	\$708	\$3,562	\$3,627
50° dump angle with subframe for 12' body					1622900	1444387						1423709	1744606	1645358	1645358	
LB 520	40	868	9-16	3250	\$2,850	\$2,771					\$98 1622935	\$1,388	\$1,353	\$725	\$3,673	\$3,673
50° dump angle with subframe for 12' body					1622900	1444387						1744603	1744607	1645626	1645626	
LB 520	40	868	9-16	3250	\$2,850	\$2,771	\$98 1622935					\$1,388	\$1,353	\$725	\$3,673	\$3,673
50° dump angle with subframe for 14' body					1622901	1444388						1744603	1744607	1645626	1645626	

\* Fits Chelsea 249 PTO w/AD Output, Muncie PTO 'T' Output

**Subframe lengths are 5" shorter than length listed above.**

\*\* Fits Muncie FR66 PTO 'N' Output

Lo-Boy Subframe Hoist Accessories		
1735866	Bucher solenoid operated control for valve (push button control) - Hydraulic Kit (Electric Valve) for LB 400, LB 500, LB 510	\$1,695
1735867	Bucher solenoid operated control for valve (push button control) - Hydraulic Kit (Electric Valve) for LB 400, LB 500, LB 510 with 10'-12' Subframes	\$1,707
1735868	Bucher solenoid operated control for valve - Hydraulic Kit (Electric Valve) for LB 520 with 9'-11' Subframes	\$1,782
1735869	Bucher solenoid operated control for valve - Hydraulic Kit (Electric Valve) for LB 520 with 12'-14' Subframes	\$1,794
1623237	150 amp Circuit Breaker for Electric Hydraulic Packages	\$72
	Quick Install Hoist with ESA or EDA Hydraulics (hoses are plumbed on hoist)	\$105



800-533-0494  
 sales@crysteel.com

**RollerCombo® Subframe Hoists**  
 (Patent #4741576)

**STANDARD FEATURES:**

- Double acting cylinders
- Direct Mount hydraulic packages are complete with pump, valve, reservoir, hoses and locking control
- Full-length subframe with integral rear hinge and safety prop. (RC580, 690 & 6100 include 2 safety props)
- Stainless Steel Pivot points through hoist to eliminate the possibility of corrosion
- Ice Guards to prevent ice build-up

Part number appears below price

Hoist Model	Body Length	NTEA CLASS	Wt** (lbs)	PSI	Hoist & Subframe		Install Install Carton	Hydraulics Direct Mount (7' cable)	Total DM Package Price w/ greaseable
					Grease Hinge	CRP Hinge			
RC540	9'	40	912	3250	\$3,272 1623073	\$3,413 1623075	\$90 1623106	\$1,251 1645352	\$4,613
RC540	10'	40	912	3250	\$3,272 1623074	\$3,413 1623077			\$4,613
RC540	11'	40	912	3250	\$3,293 1621807	\$3,437 1623078			\$4,634
RC540	12'	40	912	3250	\$3,314 1621789	\$3,465 1317702			\$4,655
RC650	8'	50	942	3250	\$3,329 1623076		\$90 1623106	\$1,251 1645352	\$4,670
RC650	9'	50	942	3250	\$3,371 1621776	\$3,512 1623083			\$4,712
RC650	10'	50	942	3250	\$3,371 1621772	\$3,512 1623084			\$4,712
RC650	11'	50	942	3250	\$3,356 1623079	\$3,534 1623085			\$4,697
RC650	12'	50	942	3250	\$3,413 1623080	\$3,554 1623114			\$4,754
RC750	9'	50	967	2000	\$3,464 1621777	\$3,605 1623115	\$90 1623106	\$1,217 1645353	\$4,771
RC750	10'	50	967	2000	\$3,464 1621773	\$3,605 1623116			\$4,771
RC750	11'	50	967	2000	\$3,479 1621779	\$3,627 1623117			\$4,786
RC750	12'	50	967	2000	\$3,506 1621832	\$3,647 1623118			\$4,813
RC860	10'	60	965	2000	\$3,590 1623088	\$3,731 1623120	\$90 1623106	\$1,272 1645354	\$4,952
RC860	11'	60	965	2000	\$3,599 1623089	\$3,755 1623121			\$4,961
RC860	12'	60	965	2000	\$3,632 1623090	\$3,773 1623122			\$4,994
RC690/ RC6100	12'	90	1768	2200/ 2700	\$6,650 1623096	\$6,995 1623101	\$218 1623107	\$1,638 1645356 (RC6100 Hyd Pkg.)	\$8,506
RC690/ RC6100	13'	90	1768	2200/ 2700	\$6,680 1623097	\$7,025 1623102			\$8,536
RC690/ RC6100	14'	90	1768	2200/ 2700	\$6,741 1623098	\$7,097 1623103			\$8,597
RC690/ RC6100	15'	90	1768	2200/ 2700	\$6,747 1623099	\$7,098 1623104			\$8,603
RC690/ RC6100	16'	90	1768	2200/ 2700	\$6,750 1623100	\$7,095 1623105			\$8,606

\*\*Weights based on greaseable hinge.

Subframe lengths are 12" shorter than length listed above.

RollerCombo Hoist Accessories		
1735878	Bucher solenoid operated control for valve - Hydraulic Kit (Electric Valve) for RC540, RC650	\$1,763



800-533-0494  
 sales@crysteel.com

### StingRay® Conversion Hoist

- Auto-Bleed self bleeding system on single acting hoists
- Double acting cylinders are double acting in the first stage only
- Part number listed below the price

Hoist Model	NTEA Class	Wt ** (lbs)	Recommend ed Body Length (ft)	PSI	Hoist	Installation		Hydraulics	DM Package Price
						Rear Hinge	Install Carton	Direct Mount 8' Cable	
1900 D/A	F / 60	746	10-18	4000	\$2,751 1621822	\$258 1621587	\$267 1622905	\$1,319 1645318	\$4,595
4400 S/A	H / 80	1112	14-20	3250	\$4,422 1621721	\$431 1283750	\$330 1622909	\$1,289 1645322	\$6,472
4400 D/A	H / 80	1112	14-20	3250	\$4,553 1621763	\$431 1283750	\$354 1622906	\$1,263 1645323	\$6,601
5500 S/A	J / 100	1127	16-24	3250	\$4,821 1621696	\$431 1283750	\$347 1622910	\$1,415 1645324	\$7,014
5500 D/A	J / 100	1127	16-24	3250	\$4,902 1621764	\$431 1283750	\$374 1622907	\$1,530 1645325	\$7,237
6600 S/A	K / 110	1242	18-24	3250	\$5,240 1621722	\$431 1283750	\$371 1622911	\$1,415 1645324	\$7,457
6600 D/A	K / 110	1242	18-24	3250	\$5,441 1621765	\$431 1283750	\$396 1622908	\$1,530 1645325	\$7,798
7700 S/A	L / 120	1402	20-28	3250	\$5,960 1621731	\$431 1283750	\$347 1622910	\$1,415 1645324	\$8,153
7700 D/A	L / 120	1402	20-28	3250	\$6,131 1621766	\$431 1283750	\$374 1622907	\$1,530 1645325	\$8,466

\*\* Weights based on direct mount packages

**Freight to Warehouse Charge Per Hoist: 3% of total package cost**

**Freight to warehouse charge does not include shipping charges from warehouse to your location.**

StingRay Hoist Accessories		
1621600	Remote Mount Kit 24" Drive Shaft	\$375
1622411	Valve Shift Kit (Cable Not Included)	\$125
1621995	Valve Air Shift Kit (SR 1900-7700)	\$746
1621626	Valve Cable Pull Off-Kit, Prince Valve (Cable N/A)	\$243
1645684	Hydraulic Kit (Valve Air Shift) (SR 1900)	\$1,856
1645414	Hydraulic Kit (Valve Air Shift) (SR 4400 DA)	\$1,802
1645339	Hydraulic Kit (Valve Air Shift) (SR 5500-7700 SA)	\$1,973
1645347	Hydraulic Kit (Valve Air Shift) (SR5500-7700 DA)	\$2,078
1621994	Return Line Filter Kit	\$330

Prices Effective August 26, 2018  
 All Prices and Specifications  
 Subject to Change Without Notice

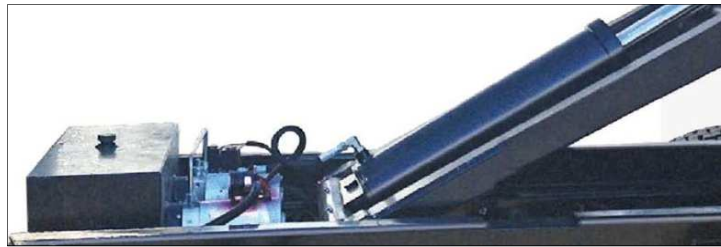
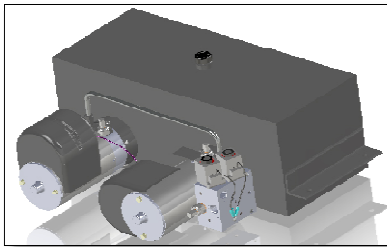




800-533-0494  
 sales@crysteel.com

### Hy-Flo™ Twin Electric Power Unit

Crysteel® is pleased to announce that we are now offering the Crysteel Hy-Flo™ Twin Electric Power Unit. Available on the LoBoy and RollerCombo® models, this system offers faster cycle time, high-pressure, high-flow hydraulics, and much more.



Part #	Description	Price
1729874	Crysteel Hy-Flo Twin Electric Power Unit (ILO DM hydraulics)	\$2,543

The performance levels of the Crysteel Hy-Flo Twin Electric Power Unit include:

Hoist Line	Model	Raise Time - Empty Body
LoBoy	Ernie	25.3 seconds
	Floyd	36 seconds
RollerCombo	RC540	18.4 seconds
	RC650	26.5 seconds

Note: Ratio is based on pump flow at engine idle speed. An operator can double the engine speed, making gear pump systems faster. Gear pump systems provide the same operating speeds regardless of load. Flow from electric power units is reduced with higher loads.



800-533-0494  
sales@crysteel.com

### Turbo® Telescopic Hoist

**STANDARD FEATURES:**

- Auto Bleeding System
- Pressure rating is 2500 PSI
- Hoist Frames (T5380-T5398) include one safety prop
- Hoist Frames (T53114-T74191) include two safety props
- All cylinders are single acting
- Return Hose Included

Part number appears below price

MODEL	NTEA Class / Weight* (lbs)	Recommended Body Length (ft)	Hoist		Hydraulic Options			Reservoir Options			Rear Hinge Options						
			Standard Hoist Frame	Sloped Front Hoist Frame	Combine d Pump & Valve	Hoist Access Code		DM Pump & Separate Valve	Standard	Dog-house	Sloped Front	Standard Longsills			I-Beam Longsills		
												Grease	Grease/ Remov-able Pin	Compo-site/ Remov-able Pin	Grease	Grease/ Remov-able Pin	Compo-site/ Remov-able Pin
T5380	60 570 #	9 - 10-1/2	\$2,852 1645760		\$783 1645771							\$258 1621587		\$398 1623138			
T5398	70 647#	11 - 12-1/2	\$2,988 1645761		\$783 1645771	A	D	\$1,073 1645811	\$359 1645750								
T53114	70 773#	13 - 14-1/2	\$3,531 1645762														
T63113	110 887#	13 - 14-1/2	\$3,732 1645763	\$3,729 1704300													
T63131	110 914#	15	\$3,819 1645764	\$3,816 1704301	\$776 1645772	A			\$390 1645751	\$447 1645758							
T63148	120 942#	16 - 17	\$3,866 1645765	\$3,863 1704302								\$431 1283750	\$495 1283746	\$758 1361357	\$447 1362938	\$545 1362939	\$555 1451810
T73129	120 1049#	14 - 15-1/2	\$4,257 1645766	\$4,254 1704303				\$1,686 1645845									
T73147	120 1072#	16 - 17-1/2	\$4,445 1645767	\$4,442 1704304	\$776 1645773	A	C		\$525 1645752	\$509 1645759	\$603 1704307						
T74167	120 1079#	18 - 19-1/2	\$4,511 1645768	\$4,508 1704305													
T74191	120 1131#	20 - 21-1/2	\$4,845 1645769	\$4,842 1704306													

\* Weights based on standard frame and greaseable hinge.

#### Turbo Hoist Accessories

1621601	Return Line Filter Kit	\$210
1645253	Hoist Stabilizer (for Use on 12' and Longer Bodies)	\$1,257
1621626	Valve Pull-Out Kit, G Series Pump / Valve (cable not included)	\$243
1625950	Valve Pull-Out Kit, Airshift	\$95
1643262	Valve Pull-Out Spring, C Series Pump / Valve (cable not included)	\$20



800-533-0494  
sales@crysteel.com

**Marathon® Telescopic Hoist**

**STANDARD FEATURES:**

- Auto Bleeding System (S/A Cylinders Only)
- Pressure rating is 2500 PSI (SA) / 2000 PSI (DA)
- Hoist Frames (M5390-M5399) include 1 safety prop
- Hoist Frames (M53117-M63153) include 2 safety props
- Return Hose Included
- Marathon 63 Series includes floating cradle

Part number appears below price

			Hoist Frame Options			Hydraulic Options			Reservoir Options			Rear Hinge Options					
												Standard Longsills			I-Beam Longsills		
Model	NTEA Class/Weight* (lbs)	Recommended Body Length	Standard	Dog-house	Sloped Front	Combined Pump & Valve	Hoist Access Code	DM Pump & Separate Valve	Std. Frame	Dog-house	Sloped Front	Grease	Grease/Removable Pin	Composite/Removable Pin	Grease	Grease/Removable Pin	Composite/Removable Pin
M5390 S/A	70	9 - 10 1/2	\$3,461 1645775			\$783 1645771	A	\$1,073 1645811									
M5390 D/A	70	9 - 10 1/2	\$3,956 1645776					\$1,077 1645812	\$359			\$258		\$398			
M5399 S/A	70	10 - 11 1/2	\$3,540 1645777			\$783 1645771	A	\$1,073 1645811	1645750					1623138			
M5399 D/A	70	10 - 11 1/2	\$4,149 1645778					\$1,077 1645812									
M53117 S/A	80	12 - 13 1/2	\$3,842 1645779			\$783 1645771	A	\$1,073 1645811									
M53117 D/A	80	12 - 13 1/2	\$4,278 1645780					\$1,077 1645812									
M63117 S/A	120	12 - 13 1/2	\$4,665 1645781			\$776 1645772	A	\$1,686 1645845									
M63117 D/A	120	12 - 13 1/2	\$4,802 1645782					\$1,830 1645846	\$390								
M63138 S/A	120	14 - 15 1/2	\$4,671 1645783		\$5,073 1645794	\$776 1645772	A	\$1,686 1645845	1645751			\$431	\$495	\$758	\$447	\$545	\$555
M63138 D/A	120	14 - 15 1/2	\$4,814 1645784		\$5,210 1645795			\$1,830 1645846			\$737 1645756		1283746	1361357	1362938	1362939	1451810
M63153 S/A	120	16 - 16 1/2	\$4,757 1645785		\$5,150 1645796	\$776 1645772	A	\$1,686 1645845									
M63153 D/A	120	16 - 16 1/2	\$4,890 1645786		\$5,277 1645797			\$1,830 1645846									
M74181 S/A	120	17 - 19 1/2	\$7,014 1854083	\$7,062 1854084	\$7,421 1854085	\$776 1645772	A	\$1,686 1645845									

<b>Mailhot® Hoist (2-Year Warranty)</b>																	
			Hoist Frame Options			Hydraulic Options			Reservoir Options			Rear Hinge Options					
												Standard Longsills			I-Beam Longsills		
MODEL	NTEA Class/Weight* (lbs)	Recommended Body Length	Standard	Dog-house	Sloped Front	Combined Pump & Valve	Hoist Access Code	DM Pump & Separate Valve	Std. Frame	Dog-house	Sloped Front	Grease	Grease/Removable Pin	Composite/Removable Pin	Grease	Grease/Removable Pin	Composite/Removable Pin
G160 S/A		16 - 17 1/2	\$5,870 1645853	\$6,045 1645856	\$6,117 1317707	\$776 1645773		\$1,686 1645845									
CS160 D/A		16 - 17 1/2	\$7,982 1645852	\$8,156 1317704	\$8,228 1317708	\$1,133 1645809		\$1,830 1645846									
CS170 D/A		17 - 18 1/2	\$7,982 1645855	\$8,156 1317706	\$8,208 1317709	\$1,133 1645809	A	\$1,830 1645846	\$525	\$579	\$737	\$431		\$758	\$447		\$555
G180 S/A		18 - 19 1/2	\$6,042 1317703	\$6,216 1645851	\$6,840 1645857	\$776 1645773		\$1,686 1645845	1645752	1645792	1645756	1283750		1361357	1362938		1451810
G195 S/A		20 - 20 1/2	\$9,426 1645858	\$8,156 1317706	\$10,521 1317710	\$776 1645773		\$1,686 1645845									

\* Weights based on Standard frame and greaseable hinge.

\*\*Includes DM Pump & Separate Valve with Universal Hoist Control Tower. Control Switches are sold separately-see page 9.

<b>Marathon Hoist Accessories</b>		
1621601	Return Line Filter Kit	\$210
1645253	Hoist Stabilizer (for Use on 12' and Longer Bodies)	\$1,257
1621626	Valve Pull-Out Kit, G Series Pump / Valve (cable not included)	\$243
1625950	Valve Pull-Out Kit, Airshift	\$95
1643262	Valve Pull-Out Spring, C Series Pump / Valve (cable not included)	\$20



**800-533-0494**  
**sales@crysteel.com**

## Universal Hoist Control Tower

Includes:

- Cable or Air Shift Hoist Control
- Air PTO Control (Muncie or Chelsea)
- Air Tailgate Release Switch
- Switch knock-outs for Up to 5 misc. switches, options listed below



Code	A	C	D
<b>Style</b>	T5398, T53114, M5399SA, M53117SA & 6" & 7" SA Cylinders, Combined Pump/Valve (Commercial "C")	6" & 7" Cylinders, DM Pump & Separate Valve (BLB)	DM Pump & Separate Valve (Prince)
7' Cable	\$468 1626165	\$465 1626991	\$446 1626174
10' Cable	\$480 1626166	\$477 1626992	\$458 1626175
Air Shift	\$638 1626167	\$789 1626993	\$770 1626176

### Individual Control Switches for Universal Tower

1644870	Prelabeled "Axle" Switch	\$9
1644871	Prelabeled "Tarp" Switch	\$11
1644873	Auxiliary Switch On-Off (Beacon, Air Flaps)	\$14
1644874	Auxiliary Switch (On)-Off (Momentary) (Vibrator)	\$20

Prices Effective August 26, 2018  
 All Prices and Specifications  
 Subject to Change Without Notice



**800-533-0494**  
**sales@crysteel.com**

## Aluminum Landscape Body

### STANDARD FEATURES:

- 1/8" 5052-H32 Aluminum Beveled (Pressed Horizontal) Sides
- .190" 6061-T651 Aluminum Floor
- 13.75" wide x 3.75" deep, 5052-H32 Aluminum Full Depth Rear Corner Post
- 10.75" wide x 3.75" deep, 5052-H32 Aluminum Full Depth Front Corner Post
- Integral Upper & Lower Side Rubrails
- Tailgate: Full Height Double Barn Door in Rear, Complete With Double Door Trailer Style Hardware
- Pull Tarp Provisions
- 42" Aluminum Cabshield Available (Bolt-On)



- *Customization is not available on the Aluminum Landscape Body*

*Part Number listed below price*

	<b>9' Alum Landscape</b>	<b>12' Alum Landscape</b>
Outside Length	9' 4"	12'
Inside Length	112"	144"
Width (ID/OD)	87"/96"	87"/96"
Side Height	40"	50"
Side Door Width	50"	50"
Rear Height	40"	50"
Body Capacity (yards)	8.2	13.7
Body Weight (lbs) - estimated	1260	1670
Body Only Price	\$11,495 1849704	\$13,239 1851675
Body with D/A LB510 Hoist <i>Quick Install Standard</i>	\$14,543 1846617	\$16,404 1808711

<b>Option Pricing</b>		
42" Bolt-On Cabshield Kit	\$759 1816171	\$1,119 1708412
Bolt-On Ladder Kit	\$405 1816903	\$452 1708411
Spring Tarps with or without cabshield	\$945 1645655	\$968 1645656
Pull Tarps with or without cabshield	\$386 1644929	\$410 1644930

Prices Effective August 26, 2018  
 All Prices and Specifications  
 Subject to Change Without Notice

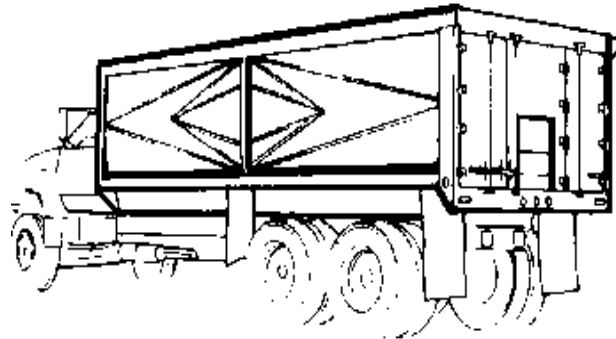


800-533-0494  
 sales@crysteel.com

### Grain Tipper

**STANDARD FEATURES:**

- 12 ga. high strength sides and ends
- Boxed top rail
- Stop/turn and clearance lights
- Three piece swing out rear with center tie bar, rear door seal, and center grain chute
- Body primed, with underside painted black
- Longsill height:  
 10 1/2" on 16' through 20'  
 12 1/2" on 22' through 24'



Part number appears below price

Body Length	96" Wide Body			102" Wide Body		
	60" Sides 10 ga Floor	60" Sides 7 ga Floor	14" Tip Tops *	60" Sides 10 ga Floor	60" Sides 7 ga Floor	14" Tip Tops *
<b>16'</b>	\$10,275 1622453	\$10,620 1622455	\$1,622 1645274	\$11,213 1622454	\$11,549 1622456	\$1,631 1645275
<b>18'</b>	\$10,425 1622468	\$10,739 1622470	\$1,829 1645278	\$11,249 1622469	\$11,588 1622471	\$1,838 1645279
<b>20'</b>	\$10,998 1622484	\$11,817 1622486	\$1,799 1645282	\$11,366 1622485	\$11,681 1622487	\$1,808 1645283
<b>22'</b>	\$11,585 1622500	\$12,351 1622502	\$2,190 1645286	\$11,849 1622501	\$11,894 1622503	\$2,199 1645287
<b>24'</b>	\$11,888 1622508	\$12,398 1622510	\$2,340 1645288	\$11,928 1622509	\$12,876 1622511	\$2,351 1645289

**Recommended Hoist:**

- 16' – 20' Stingray 4400 or 5500
- 22' – 24' Stingray 6600 or 7700

\* Tip Tops cannot be used in conjunction with the Combination Beet/Grain Gate

**CUSTOM OPTIONS:**

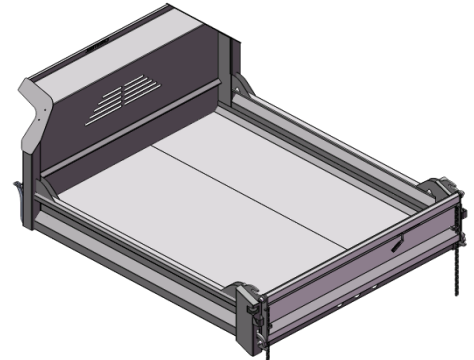
- No Charge for 2pc. Barn Door Tailgate ILO standard rear \*
- ADD \$206 for Tip Tops installed at factory
- ADD \$1,054 for 60" Combination Beet/Grain Gate with Center Door ILO Standard Rear \*
- ADD \$1,009 For 74" Sweet Corn Gate ILO Standard Rear \*
- ADD \$1,965 for Hydraulic Power Tailgate on Standard Rear \*
- ADD \$370 for Electric Power Unit for Power Tailgate (Part Number 1645755)
- ADD \$682 for Auto Closer for Sweet Corn Gate or Beet Gate (Part Number 1622590) \*
- Deduct \$433 Less Tailgate \*

\* Requires additional lead time



800-533-0494  
 sales@crysteel.com

### E-Tipper Carbon Steel Dump Bodies



**All bodies include:**

- Quick-drop tailgate with a 10ga inner panel
- Crossmemberless tubular understructure
- Incandescent rear marker lights
- Bodies 9' - 11' have an Integral 1/4 cabshield with window
- Bodies setup for Current GM3500 chassis are setup for standard axle width - wider axle width intended for ambulance use

Part #	Length	Recommended Chassis	Inner / Outer Width (in)	Yards	Front / Sides / Rear (in)	Wt (lbs)	Cabshield	Front Style / Material	Side Style / Material	Floor Material	Price
2041240	9'	GM3500 HD	87 / 96	2-3	40 / 12 / 20		1/4 Cab	Tapered / 10ga	Rigid / 12ga	10ga A1011	\$4,440
2148817	9'	GM3500 HD	87 / 96	2-3	40 / 12 / 20		1/4 Cab	Tapered / 10ga	Folding / 12ga	7ga A1011	\$5,130
1921109	9'	F350	87 / 96	2-3	40 / 12 / 18	1258	1/4 Cab	Tapered / 10ga	Rigid / 12ga	10ga A1011	\$4,380
1921110	9'	F350	87 / 96	2-3	40 / 12 / 18	1485	1/4 Cab	Tapered / 10ga	Folding / 12ga	7ga A1011	\$5,079
1921111	9'	F450/550	87 / 96	3-4	40 / 16 / 22	1289	1/4 Cab	Tapered / 10ga	Rigid / 12ga	10ga A1011	\$4,494
1921112	9'	F450/550	87 / 96	3-4	40 / 16 / 22	1529	1/4 Cab	Tapered / 10ga	Folding / 12ga	7ga A1011	\$5,222
2044267	11'	GM3500 HD	87 / 96	2-3	40 / 10 / 16		1/4 Cab	Tapered / 10ga	Rigid / 12ga	10ga A1011	\$4,647
2044305	11'	GM3500 HD	87 / 96	2-3	40 / 10 / 16		1/4 Cab	Tapered / 10ga	Folding / 12ga	7ga A1011	\$5,259
1921115	11'	F450/550	87 / 96	3-4	40 / 12 / 18	1400	1/4 Cab	Tapered / 10ga	Rigid / 12ga	10ga A1011	\$4,730
1921116	11'	F450/550	87 / 96	3-4	40 / 12 / 18	1677	1/4 Cab	Tapered / 10ga	Folding / 12ga	7ga A1011	\$5,468
1921117	12'	F550/Dodge Ram	87 / 96	5-6	42 / 14 / 20	1545	NA	Straight / 10ga No cabshield	Rigid / 12ga	10ga A1011	\$4,806
2033084	12'	F550/Dodge Ram	87 / 96	5-6	42 / 14 / 20	1948	NA	Straight / 10ga No cabshield	Folding / 12ga	7ga A1011	\$5,304

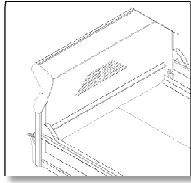
See E-TIPPER Features/Options page to customize, or contact Inside Sales @ 800-533-0494 or sales@crysteel.com



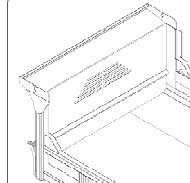
800-533-0494  
 sales@crysteel.com

## E-Tipper Features/Options

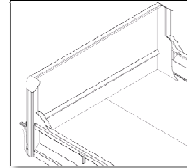
### Front Options



**Tapered**



**Straight**



**Bulkhead Only**

**FRONT OPTIONS:**

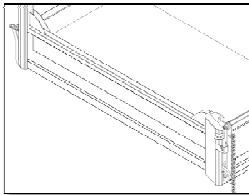
Straight Front ILO Tapered Front  
 Less 1/4 Cabshield  
 1/2 Cabshield ILO 1/4 cabshield  
 3/4 Cabshield ILO 1/4 cabshield  
 Full Cabshield ILO 1/4 cabshield

(deduct)

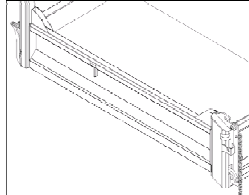
**PRICE**

\$83	
\$105	
\$95	
\$216	
\$389	Full Cabshield ILO 1/4 cabshield (if Fold Down sides) \$675

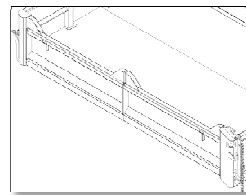
### Side Options



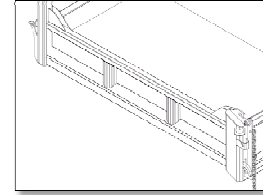
**Rigid**



**Folding**



**Split Fold**



**Vertical Braces**

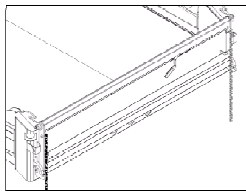
**SIDE OPTIONS:**

Vertical Side Braces  
 Box Top Rail

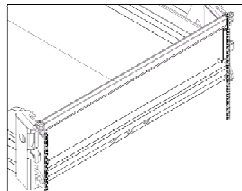
**PRICE**

\$147  
 \$255

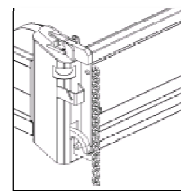
### Tailgate Options



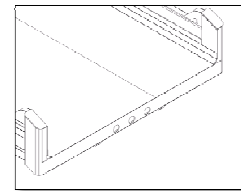
**Quickdrop**



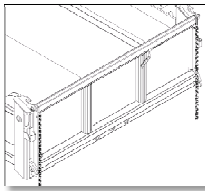
**Flushmount**



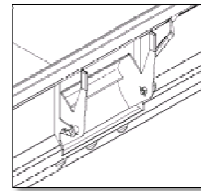
**Offset Hinge**



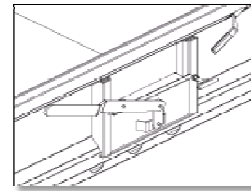
**Less Tailgate**



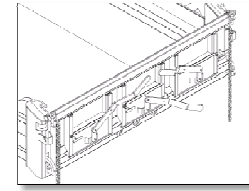
**Vertical Braces**



**Drum Patchgate**



**Sliding Patchgate**



**Multiple Patchgates**

**TAILGATE OPTIONS:**

Flushmount Tailgate ILO Quickdrop  
 Sliding Patchgate (min 20" tailgate)  
 Vertical Tailgate Braces

**PRICE**

(\$20)  
 \$285  
 \$60

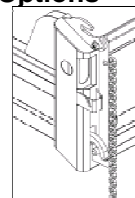
### Additional Options

**ADDITIONAL OPTIONS:**

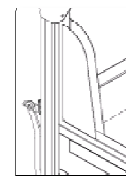
Full Height Front Board Pockets  
 LED Rear Markers ILO Incandescent Rear Markers  
 Incandescent STT/Markers ILO Incandescent Rear Markers (min 20" TG)  
 LED STT/Markers ILO Incandescent Rear Markers (min 20" TG)  
 Interlocking Understructure ILO Western Understructure  
 Quick Install (also Add in Hoist price)

**PRICE**

\$45  
 \$72  
 \$54  
 \$204  
 \$584  
 \$368



**STT Light Cutout**



**Full Height Front Pocket**





800-533-0494  
 sales@crysteel.com

### S-Tipper Stainless Steel Dump Bodies

**All bodies include:**

- Quick-drop tailgate
- Crossmemberless tubular understructure
- Incandescent rear marker lights
- Tapered Integral 1/4 Cabshield
- Front Material: 10 gauge Stainless 201 2B finish
- Side Material: 12 gauge Stainless 201 2B finish
- Tailgate Material: 10 gauge Stainless 201 2B finish
- Boxed Top Rail



Length	Recommended Chassis	Inner / Outer Width (in)	Yards	Front / Sides / Rear (in)	Approx Weight (lbs)	Side Style / Material	Stainless Steel Sides & Ends (SS201 2B Finish) with Carbon Steel Floor / Understructure (A1011 Carbon Steel)			All Stainless Steel Sides, Ends, Floor & Understructure (SS201 2B Finish)		
							Floor Gauge / Material	Part #	Price	Floor Gauge / Material	Part #	Price
9'	GM3500 HD	87 / 96	2-3	40 / 12 / 20		Rigid	10 GA A1011	2049049	\$7,800	10 GA SS201	2049059	\$9,339
9'	GM3500 HD	87 / 96	2-3	40 / 12 / 20		Folding	7 GA A1011	2049050	\$9,158	7 GA SS201	2049119	\$11,220
9'	F350	87 / 96	2-3	40 / 12 / 18	1258	Rigid	10 GA A1011	1921122	\$7,671	10 GA SS201	1921133	\$9,089
9'	F350	87 / 96	2-3	40 / 12 / 18	1485	Folding	7 GA A1011	1921123	\$9,027	7 GA SS201	1921134	\$10,913
9'	F450/550	87 / 96	3-4	40 / 16 / 22	1289	Rigid	10 GA A1011	1921124	\$7,937	10 GA SS201	1921135	\$9,321
9'	F450/550	87 / 96	3-4	40 / 16 / 22	1529	Folding	7 GA A1011	1921125	\$9,296	7 GA SS201	1921136	\$11,177
11'	GM3500 HD	87 / 96	2-3	40 / 10 / 16		Rigid	10 GA A1011	2049052	\$7,974	10 GA SS201	2049122	\$9,792
11'	GM3500 HD	87 / 96	2-3	40 / 10 / 16		Folding	7 GA A1011	2049056	\$9,371	7 GA SS201	2044307	\$11,826
11'	F450/550	87 / 96	3-4	40 / 12 / 18	1400	Rigid	10 GA A1011	1921128	\$7,979	10 GA SS201	1921139	\$9,933
11'	F450/550	87 / 96	3-4	40 / 12 / 18	1677	Folding	7 GA A1011	1921129	\$9,554	7 GA SS201	1921142	\$11,825

Standard Options:	
• Quick Install (also add in hoist price)	\$245
• Sliding Patchgate (minimum tailgate height 20")	\$412
• Full height front board pockets	\$49
• 1/2 Cabshield ilo 1/4 Cabshield	\$152

Prices Effective August 26, 2018  
 All Prices and Specifications  
 Subject to Change Without Notice



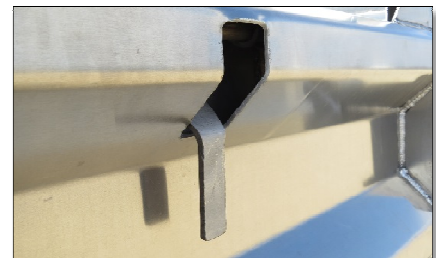
800-533-0494  
 sales@crysteel.com

## A-Tipper Aluminum Dump Bodies

**All bodies include:**

- 3/16" 5052 Aluminum construction
- Rigid sides are single panel reverse bend
- Fold-Down sides are single panel
- Crossmemberless understructure, 8" longsills C8-6061-T6 Aluminum
- 3/16" 6061-T6 Aluminum center floor section
- 1/4 integral tapered cabshield with front v-brace
- Tarp mounting provisions and integrated receivers
- 6" board pockets
- Single panel tailgate with independent tailgate latching with manual tailgate release
- LED lighting with one-piece wiring harness

• Customization is not available on these units.



3-4 Yard	Rigid Sides	
Body Length	9' 4"	11' 4"
Front Height	40"	40"
Side Height	16"	16"
Tailgate Height	22"	22"
Body Width	87" ID / 96" OD	87" ID / 96" OD
Body Only Weight	690 lbs	780 lbs
Body & Hoist Weight	1,215 lbs	1,305 lbs
Body Only Price	\$9,228 1759841	\$9,330 1774408
Body with EDA LB510 Hoist Quick Install Standard	\$12,294 1808713	\$0 1810299

3-4 Yard	Fold-Down Sides	
Body Length	9' 4"	11' 4"
Front Height	40"	40"
Side Height	16"	16"
Tailgate Height	22"	22"
Body Width	87" ID / 96" OD	87" ID / 96" OD
Body Only Weight	800 lbs	975 lb*
Body & Hoist Weight	1,325 lbs	1,500 lbs*
Body Only Price	\$11,208 1829634	\$11,279 1868526
Body with EDA LB510 Hoist Quick Install Standard	\$14,274 1868528	\$14,378 1868527

\* Weights are estimated.

Standard Options:		
• Manual Pull Tarp	1645714	\$312
• Spring Tarp	1645645	\$641

Prices Effective August 26, 2018  
 All Prices and Specifications  
 Subject to Change Without Notice

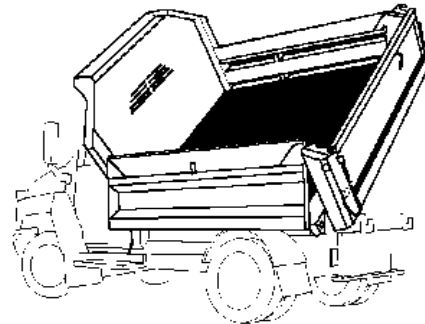


800-533-0494  
 sales@crysteel.com

### Deuce Dump Bodies

#### STANDARD FEATURES

- Rear dumping and side dumping combined in one body with single lever control
- Integrated ¼ Cabshield
- Integrated tarp brackets
- Dump-thru drivers' side
- Fold-down passenger side
- Quick-drop tailgate
- Radius front and rear corner pillars
- Quick-Install on ESA & EDA hydraulics



The Deuce Specifications				
Inside Length	9'	9'	11'	11'
Body Capacity, yards	2.4-3.6	3.2- 4.4	2.5-3.9	3.0 – 4.4
Hoist Capacity, tons (Rear/Driver's Side)	10.9 / 9.6	10.9 / 9.6	8.6 / 9.6	8.6 / 9.6
Inside/Outside Width, inches	87 / 96	87 / 96	87 / 96	87 / 96
Side / Tailgate Height, inches	12 / 18	16 / 22	10 / 16	12 / 18
Mounting Height, inches	12.5	12.5	12.5	12.5
Body & Hoist Weight, lbs*	2200	2350	2350	2500

\*Weight is estimated

Hydraulic Options				
Length & Chassis	Front Height	ESA Body & Hoist Package	EDA Body & Hoist Package	Less Hyd Body & Hoist Package
9' 2-3 Yard Dodge 3500/ Ford 350/ GM 3500	38"	\$9,548 1624582	\$9,764 1624606	\$9,155 1624607
9' 3-4 Yard Ford 450/550	38"	\$9,794 1624231	\$9,881 1624235	\$9,411 1624138
9' 3-4 Yard GM 4500/5500	48"	\$10,164 1624230	\$10,251 1624234	\$9,654 1624137
11' 2-3 Yard Dodge 3500/ Ford 350/ GM 3500	38"	\$9,998 1624669	\$10,086 1624670	\$9,635 1624671
11' 3-4 Yard Ford 450/550	38"	\$10,061 1624233	\$10,148 1624237	\$9,698 1624140
11' 3-4 Yard GM 4500/5500	48"	\$10,110 1624232	\$10,197 1624236	\$9,747 1624139

Options		
	Direct Mount for GM & Dodge*	Direct Mount for Ford**
Direct Mount Hydraulics ( 9' Length) (use with Less Hyd Packages)	\$1,263 1744600	\$1,230 1744604
Direct Mount Hydraulics (11' Length) (use with Less Hyd Packages)	\$1,275 1829647	\$1,241 1829648
Passenger Side Dump Through (in lieu of driver's side) (add to package price)	\$225	
Dump through Side can also Fold-Down 90 degrees (there would be a 3" gap where debris could collect) (add to package price)	\$325	

\* Fits Chelsea 249 PTO w/AD Output, Muncie PTO 'T' Output

\*\* Fits Muncie FR66 PTO 'N' Output

Prices Effective August 26, 2018  
 All Prices and Specifications  
 Subject to Change Without Notice



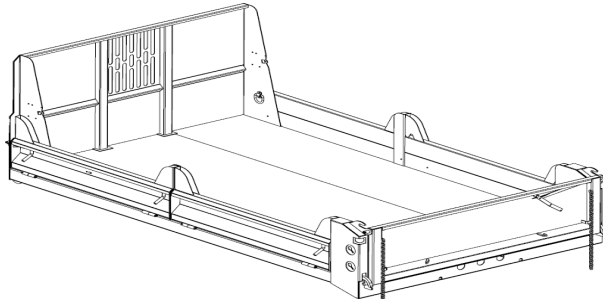
800-533-0494  
sales@crysteel.com

### SD & HD Contractor

**STANDARD DUTY FEATURES:**

- Front: 7 GA A1011
- Sides: 12 GA, Split-Fold, with Independent latches
- Side Rubrails: 5" deep
- Floor: 7 GA A1011
- Frame: 7 GA Crossmemberless Understructure
- Tailgate: 7 GA A1011 Traditional Quick Drop
- Rear Rubrail: 7 GA A1011
- Rear Pillars: 7 GA A1011
- Standard Marker Lights
- Manual release tailgate

Front folding first

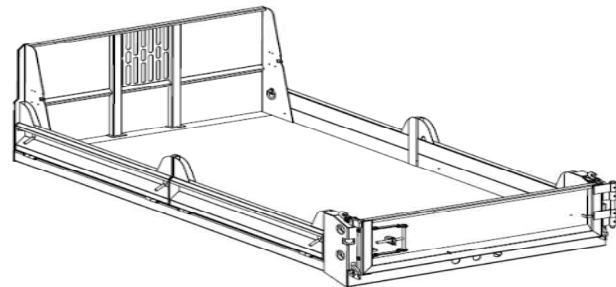


Length (Inside)	12'		14'		16'		18'	
Width: Inside/Outside	87" / 96"	91" / 100"	87" / 96"	91" / 100"	87" / 96"	91" / 100"	87" / 96"	91" / 100"
Height: Front/Side/TG (inches)	42 / 14 / 20	52 / 14 / 24	42 / 14 / 20	52 / 14 / 24	42 / 14 / 20	52 / 14 / 24	42 / 14 / 20	52 / 14 / 24
<b>Price</b>	<b>\$7,323</b>	<b>\$7,758</b>	<b>\$8,075</b>	<b>\$8,519</b>	<b>\$8,948</b>	<b>\$9,440</b>	<b>\$9,719</b>	<b>\$10,116</b>
<b>Part Number</b>	<b>2083304</b>	<b>2083222</b>	<b>2083195</b>	<b>2083305</b>	<b>2083307</b>	<b>2083308</b>	<b>2083309</b>	<b>1921151</b>
Frame Height	8"		8"		10"		10"	
Body Capacity (yards)	3.7 - 5.3	3.9 - 6.7	4.3 - 6.2	4.5 - 7.7	5.0 - 7.1	5.2 - 8.9	5.6 - 8.1	5.8 - 10
Weight (lbs)	2251	2297	2525	2579	2760	2822	2995	3065
Recommended Hoist	David		Ernie		Floyd		Floyd	

**HEAVY DUTY FEATURES:**

- Front: 7 GA A1011
- Sides: 10 GA A1011, Split-Fold, with Independent latches
- Side Rubrails: 1/4" thick, 5" deep tubular side
- Floor: 1/4" AR400 Floor
- Frame: 18 lb. I-Beam longills
- Tailgate: 7 GA A1011, 3-Way Gate
- Rear Rubrail: 1/4"
- Rear Pillars: 1/4"
- Standard Marker Light
- Air release tailgate

Front folding first



Length (Inside)	12'		14'		16'		18'	
Width: Inside/Outside	87" / 96"	91" / 100"	87" / 96"	91" / 100"	87" / 96"	91" / 100"	87" / 96"	91" / 100"
Height: Front/Side/TG (inches)	42 / 14 / 20	52 / 14 / 24	42 / 14 / 20	52 / 14 / 24	42 / 14 / 20	52 / 14 / 24	42 / 14 / 20	52 / 14 / 24
<b>Price</b>	<b>\$11,306</b>	<b>\$11,634</b>	<b>\$11,697</b>	<b>\$12,027</b>	<b>\$13,302</b>	<b>\$13,634</b>	<b>\$15,077</b>	<b>\$15,408</b>
<b>Part Number</b>	<b>1921152</b>	<b>1921154</b>	<b>1921155</b>	<b>2083312</b>	<b>1921157</b>	<b>1921159</b>	<b>1921168</b>	<b>2083316</b>
Frame Height	8"		8"		10"		10"	
Body Capacity (yards)	3.7 - 5.3	3.9 - 6.7	4.3 - 6.2	4.5 - 7.7	5.0 - 7.1	5.2 - 8.9	5.6 - 8.1	5.8 - 10
Weight (lbs)	3150	3250	3544	3660	3929	4061	4326	4474
Recommended Hoist	David		Ernie		Floyd		Floyd	

Tarps for SD and HD	ID 87" / OD 96"				ID 91" / OD 100"			
	Pull		Spring		Pull		Spring	
12' - 16' Contractor Length	\$255	1644930	\$782	1645844	\$384	1868646	\$785	1862397
17' - 20' Contractor Length	\$365	1319139	\$795	1319140	\$395	1868647	\$893	1868645

(Contractor Front/Side/TG Height can be customized in 2" increments)

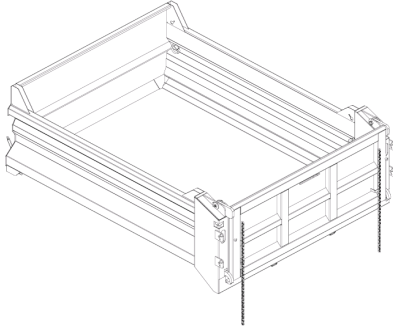
Prices Effective August 26, 2018  
All Prices and Specifications  
Subject to Change Without Notice



800-533-0494  
 sales@crysteel.com

### Crysteel Select 5 - 10 Yard Standard & Heavy Duty

#### Standard Features & Specifications



- Body Set Up For A RC540 Through RC860 hoist
- 84" I.D. Width, 96" O.D. Width
- High Strength 50,000 psi Yield Strength Steel Throughout Unless Otherwise Noted
- Single Panel Side with Pressed in Horizontal Side Brace
- Crossmemberless Understructure
- Fully Boxed Top Rail
- 6 Panel Tailgate
- Recessed Stop/Turn/Taillights with one piece wiring
- Manual Tailgate Trip Release
- 9" Floor To Side Radius
- Incandescent STT & Marker Lights

\*Shown as a 10' Heavy Duty 6-8 yd body

Part Number	Standard Duty				Heavy Duty			
	1923820	1923822	1923821	1923823	1923824	1923826	1923825	1923830
Inside Length	9'	9'	10'	10'	9'	9'	10'	10'
Front Height	40"	40"	40"	40"	40"	40"	40"	40"
Side Height	26"	30"	26"	30"	26"	30"	26"	30"
Tailgate Height	32"	36"	32"	36"	32"	36"	32"	36"
Steel Gauge Sides/Ends	10 ga				7 ga			
Steel Gauge Floor	7 ga				1/4 AR450			
Approx Yardage	5-6	6-7	5-7	6-8	5-6	6-7	5-7	6-8
Approx Body Weight (lbs)	2174	2234	2324	2388	2681	2756	2874	2954
RC540* Capacity (tons) (12" overhang)	15.8 Tons @ 3250 psi		13.8 Tons @ 3250 psi		15.8 Tons @ 3250 psi		13.8 Tons @ 3250 psi	
RC650* Capacity (tons) (12" overhang)	22.8 Tons @ 3250 psi		19.9 Tons @ 3250 psi		22.8 Tons @ 3250 psi		19.9 Tons @ 3250 psi	
RC750* Capacity (tons) (12" overhang)	19.7 Tons @ 2000 psi		17.2 Tons @ 2000 psi		19.7 Tons @ 2000 psi		17.2 Tons @ 2000 psi	
RC860* Capacity (tons) (12" overhang)	23.8 Tons @ 2000 psi		20.8 Tons @ 2000 psi		23.8 Tons @ 2000 psi		20.8 Tons @ 2000 psi	

\*13.5" mounting height

**Body Only Price**

**QUOTE UPON REQUEST**

**Standard Options:**

- Mount Hoist to Body
- 24" 1/2 Cabshield (10 ga) (1621580)
- 8" Spillshield (7 ga) - (1621644)
- Air Tailgate Release
- High N' Slide Tailgate\*\*

\*\*Body must have a 36" tailgate and an Air Tailgate Release\*\*

- Full Rib Tailgate
- LED STT & Marker Lights



**800-533-0494**  
**sales@crysteel.com**

**Crysteel Paradox™  
 Standard Dump Body**



Crysteel is pleased to announce the return of the popular Paradox dump body! This standard Class 8 dump body features a square design, lightweight / high strength steels and a wide range of sizes to fit your every need.

**Standard Features & Specifications**

- Square Body Style
- Body sizes 14' to 21' 6"
- 13-26 yard capacities
- Incandescent STT & Marker Lights
- Sides: Single Panel, Pressed Horizontal with Rubrail
- Tailgate - Sloped, Air Release, Full Rib
- Straight Front
- Front / Side / Rear Material - 11 gauge 100KSI Steel
- Floor Material - 3/16" AR450 Steel
- Understructure - Crossmemberless Tubular
- Body Finish - Fully Primed
- See pages 28-35 for add-on options for all standard Paradox bodies



Part Number	1923036	1923037	1923038	1923039	1923040
Body Length	14'	15'	16'	17'	17' 6"
Body Width (Inside / Outside)	84" / 96"				
Front Height	58"	60"	66"		
Side Height	42"				
Rear Height	50"				
Approximate Capacity (yards)	13-15	14-16	15-17	15.4-18.4	15.8-18.9
Approx Body Weight (lbs)	3670	3858	4065	4224	4303
Recommended Hoist	T63113	T63131	T63148	T63148	T63148
<b>Body Only Price</b>	<b>QUOTE UPON REQUEST</b>				

Part Number	1923041	1923042	1923043	1923044	1923045	1923046	1923047
Body Length	18'	18' 6"	19'	19' 6"	20'	21'	21' 6"
Body Width (Inside / Outside)	84" / 96"						
Front Height	66"						
Side Height	48"						
Rear Height	58"						
Approximate Capacity (yards)	18.6-22.2	19.1-23.1	19.7-23.8	20.2-24.4	20.7-25.0	21.2-24.3	22.3-26.9
Approx Body Weight (lbs)	4564	4646	4727	4809	4907	4989	5071
Recommended Hoist	T74167	T74167	T74167	T74167	T74191	T74191	T74191
<b>Body Only Price</b>	<b>QUOTE UPON REQUEST</b>						

Need a custom Paradox body? The custom options of the Paradox Select are available through the Crysteel Select Quick Quote in the Distributor Login section of our website:

[Crysteel Select Quick Quote - www.crysteel.com](http://www.crysteel.com)

Prices Effective August 26, 2018  
 All Prices and Specifications  
 Subject to Change Without Notice



800-533-0494  
 sales@crysteel.com

## Crysteel Paradox RoxBox™ Standard Dump Body



Crysteel is pleased to announce the return of the popular Paradox RoxBox dump body! This standard Class 8 dump body features a square design, AR450 steel and a wide range of sizes to fit your every need.

### Standard Features & Specifications

- Square Body Style
- Body sizes 14' to 21' 6"
- 13-26 yard capacities
- Incandescent STT & Marker Lights
- Sides: Single Panel, Pressed Horizontal with Rubrail
- Tailgate - Sloped, Air Release, Pressed Horizontal Bracing
- Straight Front
- Front / Side Material - 3/16" AR450 Steel
- Rear / Floor Material - 1/4" AR450 Steel
- Understructure - Crossmemberless I-Beam
- Body Finish - Fully Primed
- See pages 28-35 for add-on options for all standard Paradox RoxBox bodies



Part Number	1924816	1922912	1922914	1922876	1922919
Body Length	14'	15'	16'	17'	17' 6"
Body Width (Inside / Outside)	84" / 96"				
Front Height	58"	60"	66"		
Side Height	42"				
Rear Height	50"				
Approximate Capacity (yards)	13-15	14-16	15-17	15.4-18.4	15-.8-18.9
Approx Body Weight (lbs)	4557	4793	5078	5297	5407
Recommended Hoist	T63113	T63131	T63148	T63148	T63148
<b>Body Only Price</b>	<b>QUOTE UPON REQUEST</b>				

Part Number	1922920	1922921	1922922	1922923	1922924	1922925	1922926
Body Length	18'	18' 6"	19'	19' 6"	20'	21'	21' 6"
Body Width (Inside / Outside)	84 / 96"						
Front Height	66"						
Side Height	48"						
Rear Height	58"						
Approximate Capacity (yards)	18.6-22.5	19.2-23-1	19.7-23.8	20.2-24.4	20.7-25.0	21.7-26.3	22.2-26.9
Approx Body Weight (lbs)	5744	5858	5971	6084	6214	6441	6555
Recommended Hoist	T74167	T74167	T74167	T74167	T74191	T74191	T74191
<b>Body Only Price</b>	<b>QUOTE UPON REQUEST</b>						

Need a custom Paradox RoxBox body?  
 The custom options of the Paradox RoxBox Select are available through the  
[Crysteel Select Quick Quote - www.crysteel.com](http://www.crysteel.com)



**800-533-0494**  
**sales@crysteel.com**

**Crysteel Raptor™**  
**Standard Elliptical Dump Body**



Crysteel is pleased to announce the return of the popular Raptor dump body! This standard Class 8 dump body features an elliptical design, lightweight / high strength steels and a wide range of sizes to fit your every need.

**Standard Features & Specifications**

- Elliptical Body Style
- Body sizes 14' to 21' 6"
- AR450 & 100KSI Steels
- 17-26 yard capacities
- Incandescent STT & Marker Lights
- 8" Mounting Height
- Full-Length Steel Fenders
- Sloping fully boxed top rail with 3" wide board pockets
- Recommended Hoist: Turbo
- See pages 28-35 for add-on options for all standard Raptor bodies



Part Number	1923308	1923309	1923310	1923311	1923312	1923313	1923314	1923315	1923316
Body Length	14'	15'	16'	17'	18'	19'	20'	21'	21' 6"
Body Width (Inside / Outside)	84" / 96"								
Inside Radius	18.5"								
Front Height	62"	62"	66"						
Front Style	Straight								
Side Height	50"								
Side Style	Elliptical								
Rear Height	58"								
Tailgate Style	Sloped, Air Release, Full Rib								
Front / Side / Rear Material	11 gauge 100KSI Steel								
Floor Material	3/16" AR450 Steel								
Understructure	Crossmemberless Tubular 8"								
Body Finish	Fully Primed								
Approximate Capacity (yards)	17	18	20	21	22	23	25	26	26
Approx Body Weight (lbs)	3606	3781	3967	4121	4288	4438	4608	4756	4830
Recommended Hoist	T63113	T63131	T63148	T63148	T74167	T74167	T74191	T74191	T74191
Approximate Hoist Capacity (tons)	36.4	38.1	39.8	36.4	41.4	38.3	39.9	38	37.3
<b>Body Only Price</b>	<b>QUOTE UPON REQUEST</b>								

Need a custom Raptor body? The custom options of the Raptor Select are available through the Crysteel Select Quick Quote in the Distributor Login section of our website:

[Crysteel Select Quick Quote - www.crysteel.com](http://www.crysteel.com)

Prices Effective August 26, 2018  
 All Prices and Specifications  
 Subject to Change Without Notice





**800-533-0494**  
**sales@crysteel.com**

**Crysteel RipRaptor™  
 Standard Elliptical Dump Body**



Crysteel is pleased to announce the return of the popular RipRaptor dump body! This standard Class 8 dump body features an elliptical design, heavy duty steels, and is at home in a quarry or demolition site.

**Standard Features & Specifications**

- Elliptical Body Style
- Body sizes 14' to 21' 6"
- AR450 Steel
- 17-26 yard capacities
- Incandescent STT & Marker Lights
- 8" Mounting Height
- Tandem Steel Fenders
- Sloping fully boxed top rail with 3" wide board pockets
- Recommended Hoist: Turbo
- See pages 28-35 for add-on options for all standard Raptor bodies



Part Number	1923226	1923227	1923228	1923264	1923289	1923290	1923295	1923296	1923297
Body Length	14'	15'	16'	17'	18'	19'	20'	21'	21' 6"
Body Width (Inside / Outside)	84" / 96"								
Inside Radius	18.5"								
Front Height	62"	62"	66"						
Front Style	Straight								
Side Height	50"								
Side Style	Elliptical								
Rear Height	58"								
Tailgate Style	Sloped, Air Release, Single Panel Pressed Horizontal								
Front / Side / Rear Material	1/4" AR450								
Floor Material	1/4" AR450								
Understructure	Crossmemberless I-Beam								
Body Finish	Fully Primed								
Approximate Capacity (yards)	17	18	20	21	22	23	25	26	26
Approx Body Weight (lbs)	4810	5022	5289	5514	5724	5981	6223	6443	6554
Recommended Hoist	T63113	T63131	T63148	T63148	T74167	T74167	T74191	T74191	T74191
Approximate Hoist Capacity (tons)	36.4	38.1	39.8	36.6	41.4	38.3	39.9	38	37.3
<b>Body Only Price</b>	<b>QUOTE UPON REQUEST</b>								

Need a custom RipRaptor body? The custom options of the RipRaptor Select are available through the Crysteel Select Quick Quote in the Distributor Login section of our website:

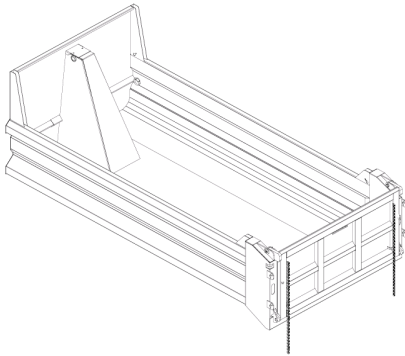
[Crysteel Select Quick Quote - www.crysteel.com](http://www.crysteel.com)

Prices Effective August 26, 2018  
 All Prices and Specifications  
 Subject to Change Without Notice



800-533-0494  
 sales@crysteel.com

## Crysteel Select 10 - 15 Yard Standard & Heavy Duty



### Standard Features & Specifications

- Body set up for a Turbo® hoist
- 84" I.D. Width, 96" O.D. Width
- High Strength 50,000 psi Yield Strength Steel throughout unless otherwise noted
- Single Panel Side with Pressed in Horizontal Side Brace
- Crossmemberless Understructure
- Fully Boxed Top Rail
- 6 Panel Tailgate
- Recessed Stop/Turn/Taillights with one piece wiring
- 3 1/2" Installed Air Tailgate Release Cylinder
- 9" Floor To Side Radius
- Incandescent S/T/T & Marker Lights

\*Shown as a 16' Standard Duty body

Part Number	Standard Duty					Heavy Duty				
	1924023	1924027	1924028	1924030	1919989	1924033	1924034	1924035	1924036	1924037
Inside Length	12'	13'	14'	15'	16'	12'	13'	14'	15'	16'
Front Height	48"	52"	52"	60"	66"	48"	52"	52"	60"	66"
Side Height	34"					34"				
Tailgate Height	42"					42"				
Steel Gauge Sides/Ends	10 ga					7 ga				
Steel Gauge Floor	7 ga					1/4" AR450				
Approx Yardage	9-11	10-12	10-13	11-14	12-15	9-11	10-12	10-13	11-14	12-15
Approx Body Weight (lbs)	3058	3278	3485	3710	3922	3726	3995	4225	4513	4777
T5398* Capacity (tons) (12" overhang)	22.8	---	---	---	---	22.8	---	---	---	---
T53114* Capacity (tons) (12" overhang)	---	23.1	21.3	---	---	---	23.1	21.3	---	---
T63113* Capacity (tons) (12" overhang)	---	40.7	37.6	---	---	---	40.7	37.6	---	---
T63131* Capacity (tons) (12" overhang)	---	---	---	38.0	---	---	---	---	38.0	---
T63148* Capacity (tons) (12" overhang)	---	---	---	---	38.6	---	---	---	---	38.6

\*8.0" mounting height

**BODY ONLY PRICE:**

**QUOTE UPON REQUEST**

### Standard Options:

- Mount Hoist to Body
- 24" 1/2 Cabshield (10 ga) (1621580)
- 8" Spillshield (7 ga) - (1621644)
- Air Tailgate Release
- High N' Slide Tailgate\*\*

\*\*Body must have a 36" tailgate and an Air Tailgate Release\*\*

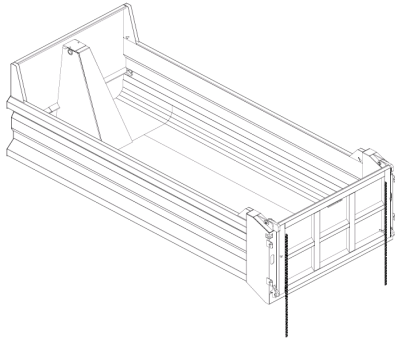
- Full Rib Tailgate
- LED STT & Marker Lights



800-533-0494  
 sales@crysteel.com

## Crysteel Select 15 - 20 Yard Standard & Heavy Duty

### Standard Features & Specifications



- Body set up for a Turbo® hoist
- 84" I.D. Width, 96" O.D. Width
- High Strength 50,000 psi Yield Strength Steel throughout unless otherwise noted
- Single Panel Side with Pressed in Horizontal Side Brace
- Western Crossmemberless Understructure
- Fully Boxed Top Rail
- 6 Panel Tailgate
- Recessed Stop/Turn/Taillights with one piece wiring
- 3 1/2" Installed Air Tailgate Release Cylinder
- 9" Floor To Side Radius
- Incandescent S/T/T & Marker Lights

\*Shown as a 17' Standard Duty body

Part Number	Standard Duty					Heavy Duty				
	1924043	1924045	1924046	1924048	1924051	1924053	1924055	1924056	1924057	1924059
Inside Length	14'	15'	16'	17'	18'	14'	15'	16'	17'	18'
Front Height	52"	60"	66"	66"	60"	52"	60"	66"	66"	60"
Side Height	42"					42"				
Tailgate Height	50"					50"				
Steel Gauge Sides/Ends	10 ga					7 ga				
Steel Gauge Floor	7 ga					1/4" AR450				
Approx Yardage	13 - 15	14 - 16	15 - 17	16 - 18	17 - 19	13 - 15	14 - 16	15 - 17	16 - 18	17 - 19
Approx Body Weight	3646	3880	4099	4271	4424	4439	4727	5001	5222	5427
T63113* Capacity (tons) (12" overhang)	37.6	---	---	---	---	37.6	---	---	---	---
T63131* Capacity (tons) (12" overhang)	---	38.0	---	---	---	---	38.0	---	---	---
T63148* Capacity (tons) (12" overhang)	---	---	38.6	36.5	---	---	---	38.6	36.5	---
T74167* Capacity (tons) (12" overhang)	---	---	---	---	40.5	---	---	---	---	40.5

\*8.0" mounting height

**BODY ONLY PRICE:**

**QUOTE UPON REQUEST**

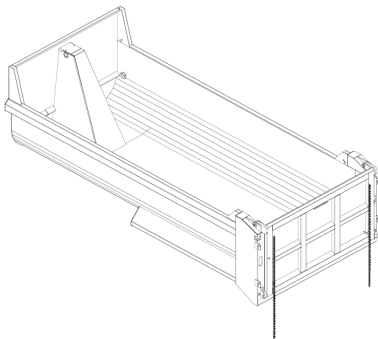
### Standard Options:

- Mount Hoist to Body
- 24" 1/2 Cabshield (10 ga) (1621580)
- 8" Spillshield (7 ga) - (1621644)
- Air Tailgate Release
- High N' Slide Tailgate\*\*
- \*\*Body must have a 36" tailgate and an Air Tailgate Release\*\*
- Full Rib Tailgate
- LED STT & Marker Lights



800-533-0494  
 sales@crysteel.com

## Crysteel Select 15 - 20 Yard Elliptical Standard & Heavy Duty



### Standard Features & Specifications

- Body set up for a Turbo hoist
- 84" I.D. Width, 96" O.D. Width
- High strength 50,000 psi yield strength steel throughout unless otherwise noted
- Elliptical
- Crossmemberless Understructure
- Fully Boxed Top Rail
- 6 Panel Tailgate
- 18" Side Radius
- Tandem Weld on Fenders
- 3 1/2" Installed Air Tailgate Release Cylinder
- Recessed Stop/Turn/Taillights with one piece wiring
- Incandescent S/T/T & Marker Lights

\*Shown as a 17' Standard Duty body

Part Number	Standard Duty					Heavy Duty				
	1924061	1924062	1924063	1924064	1924065	1924066	1924067	1924068	1924069	1924070
Inside Length	14'	15'	16'	17'	18'	14'	15'	16'	17'	18'
Front Height	52"	60"	66"	66"	60"	52"	60"	66"	66"	60"
Side Height	42"					42"				
Tailgate Height	50"					50"				
Steel Gauge Sides/Ends	10 ga					1/4" AR450				
Steel Gauge Floor	7 ga					1/4" AR450				
Approx Yardage	15	16	17	18	19	15	16	17	18	19
Approx Body Weight (lbs)	3346	3550	3739	4235	4387	4494	4772	5034	5235	5408
T63113* Capacity (tons) (12" overhang)	37.6	---	---	---	---	37.6	---	---	---	---
T63131* Capacity (tons) (12" overhang)	---	38.0	---	---	---	---	38.0	---	---	---
T63148* Capacity (tons) (12" overhang)	---	---	38.6	36.5	---	---	---	38.6	36.5	---
T74167* Capacity (tons) (12" overhang)	---	---	---	---	40.5	---	---	---	---	40.5

\*13.5" mounting height

**BODY ONLY PRICE:**

**QUOTE UPON REQUEST**

### Standard Options:

- Mount Hoist to Body
- 24" 1/2 Cabshield (10 ga) (1621580)
- 8" Spillshield (7 ga) - (1621644)
- Air Tailgate Release
- High N' Slide Tailgate\*\*
- \*\*Body must have a 36" tailgate and an Air Tailgate Release\*\*
- Full Rib Tailgate
- LED STT & Marker Lights



800-533-0494  
 sales@crysteel.com

## High 'N Slide™ Tailgate Pricing Option on Crysteel Select Bodies



The High 'N Slide Tailgate is a multifunction tailgate that not only operates as a traditional tailgate, but also has a vertical slide feature for metering, as well as hydraulic high-lift capability for brush and rip-rap.

<b>Add option price to standard tailgate Select dump body price:</b>	
High 'N Slide Package Hydraulic System: With auxilliary hydraulic manifold Recommended pressure 1,200 and 6-8 GPM	\$3,967
High 'N Slide Package, less hydraulics: For central hydraulic system	\$2,392

### Dump Body Requirements:

- 36" Tailgate
- 24" Rear Pillar
- Standard Vertical Rear only (no sloped or asphalt)
- 3-1/2" Tailgate Thickness

For additional information, visit the High 'N Slide page on the Crysteel website:  
<http://www.crysteel.com/3-dump-body-accessories/P19-high-n-slide-tailgate.html>



800-533-0494  
 sales@crysteel.com

## Stainless Steel Tailgate Spreader



Fully tapered trough eliminates flat surfaces



Full opening bottom for easy clean out

The Crysteel Stainless Steel Tailgate Spreader was specifically designed to meet the highest demands for efficient performance and dependability all winter long. The corrosion-resistant 201 stainless steel delivers unmatched durability in the toughest environments. The Crysteel Tailgate Spreader is also backed by an industry leading 2 year warranty.

<b>Traditional Tailgate Spreaders:</b>	<b>Price</b>	<b>Part Numbers Spreader / Install kit</b>
• 6" Auger	\$6,353	1385858
• 6" Salt Special **	\$6,924	1362529
• 9" Auger	\$7,338	1362526

<b>High 'N Slide Tailgate Spreaders:</b>	<b>Price</b>	<b>Part Numbers Spreader / Install kit</b>
• 6" Auger	\$6,477	1388052
• 6" Salt Special **	\$7,049	1385861
• 9" Auger	\$7,338	1362526

\*\* "Salt Special" is a 6" auger with a larger motor that has a slower RPM giving you greater control over how much material you dispense\*\*

Prices Effective August 26, 2018  
 All Prices and Specifications  
 Subject to Change Without Notice



800-533-0494  
sales@crysteel.com

### Paint Options for Crysteel Dump Bodies

Body Length	Wash, Topcoat Black or White "A"	Blast, Topcoat Black or White "B"	Blast, Topcoat Cabmatch** "C"	Z-Coat, Topcoat Black or White "D"	Z-Coat, Topcoat Cabmatch** "E"	Blast & Prime "F"	Add for Undercoating Understructure ILO Prime
E-Tipper 8' - 11'	\$728	\$1,215	\$2,310	\$2,243	\$3,383	\$488	\$135
Contractor 12' - 18'	\$885	\$1,463	\$2,813	\$2,648	\$4,050	\$578	\$158
Select 9' - 12' 11"	\$885	\$1,463	\$2,813	\$2,648	\$4,050	\$578	\$173
Select 13' - 16' 11"	\$968	\$1,688	\$3,315	\$3,105	\$4,770	\$720	\$188
Select 17' +	\$1,133	\$2,145	\$4,283	\$3,908	\$6,075	\$1,013	\$203
Cabshield - loose	\$240	\$398	\$630	\$660	\$938	\$158	
Spillshield - loose	\$173	\$285	\$413	\$450	\$405	\$113	

#### Crysteel Paint Options Include:

<b>A</b>	<p><b>Sand / Wash / Phos. / Prime / Topcoat Black or White</b></p> <ul style="list-style-type: none"> <li>Sides/ends are physically abraded</li> <li>2-part polyurethane prime coat</li> <li>Polyurethane basic color topcoat</li> <li>Top Coat paint codes: Sherwin-Williams Black: 1738; Sherwin-Williams White: Z1</li> </ul>	<ul style="list-style-type: none"> <li>Recommended for cost-sensitive general dump applications</li> <li>6-month Warranty</li> </ul>
<b>B</b>	<p><b>Blast / Prime / Topcoat Black or White</b></p> <ul style="list-style-type: none"> <li>Shot blast sides/ends</li> <li>2-part polyurethane prime coat</li> <li>Polyurethane topcoat paint to sides and ends, excluding interior</li> <li>Top Coat paint codes: Sherwin-Williams Black: 1738; Sherwin-Williams White: Z1</li> </ul>	<ul style="list-style-type: none"> <li>Recommended for corrosive environments</li> <li>2-year warranty</li> </ul>
<b>C</b>	<p><b>Blast / Prime / Cab Match</b></p> <ul style="list-style-type: none"> <li>Shot blast sides/ends</li> <li>2-part polyurethane prime coat</li> <li>Polyurethane topcoat paint to sides and ends, excluding interior</li> <li>Cabmatch paint codes need to be provided to Crysteel at time of order.</li> </ul>	<ul style="list-style-type: none"> <li>Recommended for corrosive environments</li> <li>2-year warranty</li> </ul>
<b>D &amp; E</b>	<p><b>Blast / Z-Coat / Topcoat</b></p> <ul style="list-style-type: none"> <li>10 step exclusive Crysteel Z-Coat process</li> <li>Polyurethane paint to sides and ends, excluding interior</li> <li>Option D: Top Coat paint codes: Sherwin-Williams Black:1738; Sherwin-Williams White: Z1</li> </ul>	<ul style="list-style-type: none"> <li>Option E: Cabmatch paint codes need to be provided to Crysteel at time of order.</li> <li>Recommended for extreme corrosive environments</li> <li>5-Year Warranty</li> </ul>
<b>F</b>	<p><b>Blast / Prime</b></p> <ul style="list-style-type: none"> <li>Shot blast sides/ends</li> <li>2-part polyurethane prime coat</li> </ul>	<ul style="list-style-type: none"> <li>Recommended for topcoat application without additional blasting</li> </ul>

The standard Crysteel paint process is as follows, unless specified otherwise:

#### ETIP/Deuce/Contractor Bodies:

**Paint:** Inside floor, sides & ends are primed and painted. Understructure is primed and painted black.

**Z-Coat:** Inside Floor, Sides & Ends, and Understructure are primed and painted black.

#### Select Bodies:

**Paint:** Inside floor, sides & ends are primed. Inside sides & ends are painted 1' down. Understructure is primed and painted black.

**Z-Coat:** Inside floor, sides & ends are primed. Understructure is primed and painted black.



**800-533-0494**  
**sales@crysteel.com**

### Dump Body Accessories

Part #	Description	Price
1645810	Dump Body Vibrator Kit (Cougar DC3200-12 Volt)	\$1,298
1645698	Plastic Fender Kit – Single Axle, 16” Wheel	\$458
1329552	Plastic Fender Kit – Single Axle, 19” Wheel	\$458
1645699	Plastic Fender Kit – Single Axle, 22” Wheel	\$896
1645696	Plastic Fender Kit – Tandem Axle	\$1,326
1645697	Plastic Fender Kit – Tri Axle	\$1,683
	(Kits include fenders, mounting kits and trim plates)	
1624090	Body Prop Kit for LoBoy with Subframe and Roller Combo (Left)	\$120
1624091	Body Prop Kit for LoBoy with Subframe and Roller Combo (Right)	\$99
1622942	Body Prop Kit for Front Mount Telescopic Hoists (left and right)	\$92
1622943		\$92
1621964	Air Tailgate Carton (3 1/2” Cyl)	\$479
1621974	Air Brackets only	\$218
1645757	Toolbox, Aluminum for Sloped Front	\$1,479
1500152	Backup Alarm (Preco #230) 97 db, 80 ppm	\$32
1621935	Body Up Light Kit	\$81
1912494	Thermostatic Body Heating Kit (replaces 1628183 Diverter Kit)	\$2,993

### GateSaver

**Standard Features**

- Creates a tailgate opening 15 inches higher than the tailgate itself.
- Hydraulic cylinders are located inside for protection.
- Includes a traditional style tailgate hinge plate allowing the tailgate to be used for flow through operations
- Simple installation.

Part #	Description	Price
1645709	GateSaver Retrofit Kit (Straight or Sloped Tailgate)	\$2,738

**All Dump Body Accessories qualify for FREE FREIGHT when shipped with a body.  
 Contact Crysteel Inside Sales for more information.**



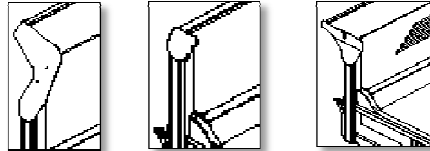


800-533-0494  
 sales@crysteel.com

### E-Series Tarps

**Manual or Spring Tarps**

- Manual Tarps adjust to fit multiple widths allowing you to stock less inventory
- One-piece aluminum roll tube with built in mounting nuts
- Quick Installation
- No drilling or special tools
- No touch-up painting required



	Recommended Inner Dimension	Body Length	Tapered	Bulkhead	Square	Retrofit
<b>Manual (Pull) Tarps</b>	78" (76" Tarp Width)	8-11'	\$455 1645713	\$447 1645720	\$539 1644928	\$473 1645727
	84" - 93" (82" Tarp Width)	8-11'	\$459 1645714	\$452 1645721	\$386 1644929	\$374 1645728
	84" - 93" (82" Tarp Width)	12-16'	\$479 1645716	\$473 1645723	\$410 1644930	\$393 1645730
<b>Spring Tarps</b>	78"	8-11'	\$1,226 1645643	\$1,173 1645648	\$1,164 1645653	
	84"	8-11'	\$1,209 1645644	\$1,155 1645649	\$1,148 1645654	
	87"	8-11'	\$992 1645645	\$938 1645650	\$945 1645655	
	87"	12-16'	\$1,013 1645646	\$959 1645651	\$968 1645656	
	93"	12-16'	\$1,212 1645660	\$1,158 1645662	\$1,166 1645658	

### 5-15 Yard Asphalt Tarps

<b>Manual Asphalt Tarp</b> - each size tarp includes the following: • Aluminum rear pull bar assembly • Pull rope assembly • Rear pull bar brackets • Mounting hardware kit	Price	Part Number	
	\$1,745	10'	1644323
	\$1,764	12'	1644324
	\$1,802	16'	1644830

<b>Electric Asphalt Tarp</b> - includes the following: • Adjustable aluminum wind deflector and end plates • Tortion springs • 1-piece extruded aluminum swing arms with rear aluminum cross bar • Direct drive electric motor • Hardware package for standard installation • Tarp Dimension – finished 19' x 85"	Price	Part Number
	\$3,893	1644937

**All Tarps qualify for FREE FREIGHT when shipped with a body.  
 Contact Crysteel Inside Sales for more information.**



**800-533-0494**  
**sales@crysteel.com**

**Poly Side Boards**

<b>E-Series Solid Poly Side Boards</b>		
<b>Part #</b>	<b>Description</b>	<b>Price</b>
1645688	Solid Black Poly Side Board Kits, 6" tall x 84" long, for 8' body	\$174
1645689	Solid Black Poly Side Board Kits, 6" tall x 96" long, for 9' body	\$197
1645690	Solid Black Poly Side Board Kits, 6" tall x 108" long, for 10' body	\$242
1645691	Solid Black Poly Side Board Kits, 6" tall x 120" long, for 11' body	\$257
1645692	Solid Black Poly Side Board Kits, 6" tall x 144" long, for 12' body	\$300
1645693	Solid Black Poly Side Board Kits, 6" tall x 84" long, for 14' body, split fold	\$345
1645694	Solid Black Poly Side Board Kits, 6" tall x 96" long, for 16' body, split fold	\$390
1645695	Solid Black Poly Side Board Kits, 6" tall x 108" long, for 18' body, split fold	\$429

<b>5-15 Yard Solid Poly Side Boards</b>		
<b>Part #</b>	<b>Description</b>	<b>Price</b>
1645668	Solid Black Poly Side Board Kits, 6" tall x 108" long, for 10' body	\$246
1645669	Solid Black Poly Side Board Kits, 6" tall x 144" long, for 12' body	\$341
1645670	Solid Black Poly Side Board Kits, 6" tall x 154" long, for 14' body	\$386
1645671	Solid Black Poly Side Board Kits, 6" tall x 178" long, for 16' body	\$461
1645672	Solid Black Poly Side Board Kits, 8" tall x 108" long, for 10' body	\$305
1645673	Solid Black Poly Side Board Kits, 8" tall x 144" long, for 12' body	\$428
1645674	Solid Black Poly Side Board Kits, 8" tall x 168" long, for 14' body	\$480
1645675	Solid Black Poly Side Board Kits, 8" tall x 192" long, for 16' body	\$563
1645676	Solid Black Poly Side Board Kits, 8" tall x 216" long, for 18' body	\$617
1645677	Solid Black Poly Side Board Kits, 10" tall x 192" long, for 16' body	\$678
1645678	Solid Black Poly Side Board Kits, 10" tall x 216" long, for 18' body	\$741

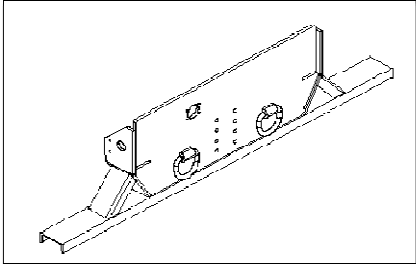
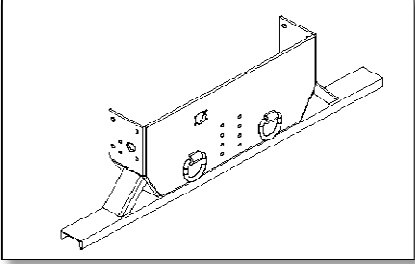
**All Side Boards qualify for FREE FREIGHT when shipped with a body.  
 Contact Crysteel Inside Sales for more information.**



**800-533-0494**  
**sales@crysteel.com**

## E-Series Hitch Plates

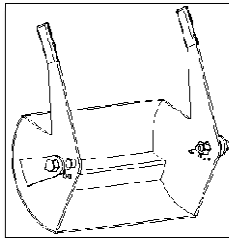
- 2 'D' Rings
- Trailer Connector Hole
- Rear Impact Guard
- 8 Predrilled holes for hitch placement

Weld-On Hitch Plate Assy		Bolt-On Hitch Plate Kit	
FORD	\$320 1625098	FORD, GM 3500	\$354 1625509
GM 3500	\$320 1625617	GM 4500/5500 2WD	\$351 1625508
GM 4500/5500 2WD	\$324 1625126	GM 4500/5500 4WD	\$395 1625618
GM 4500/5500 4WD	\$372 1625621	Dodge	\$314 1626998
			
<b>Weld-On Hitch Plate Assembly</b>		<b>Bolt-On Hitch Plate Kit</b>	

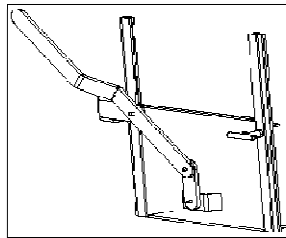


800-533-0494  
 sales@crysteel.com

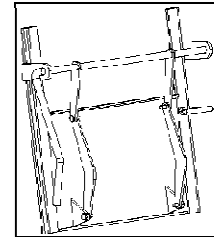
### Patchgates & Spillshields



**Drum Patchgate**



**Sliding Patchgate**



**Swing Handle  
(Septa) Patchgate**

<b>E-Tipper Patchgates</b>		
<b>Part #</b>	<b>Description</b>	<b>Price</b>
1623901	Drum Patchgate Kit, 18" Tailgate Height (loose)	\$467
1623902	Drum Patchgate Kit, 20" Tailgate Height (loose)	\$410
1623903	Drum Patchgate Kit, 22" Tailgate Height (loose)	\$408
1623904	Drum Patchgate Kit, 24" Tailgate Height (loose)	\$434
1623462	Patchgate – Sliding 7" x 15" (loose) - requires 20" Tailgate minimum	\$188

<b>Select Standard Patchgates</b>		
<b>Part #</b>	<b>Description</b>	<b>Price</b>
1621516	Patchgate – Rotary/Drum 12" x 18" (loose)	\$300
1621774	Patchgate – Sliding 12" x 18" (loose)	\$204
1622693	Patchgate – Swing Handle (Septa) Left 12" x 18" (loose)	\$230

<b>E-Series Spillshields Bodies 87" / 96" Wide</b>		
<b>Part #</b>	<b>Description</b>	<b>Price</b>
1621714	6" Spillshield, 10 gauge, 87" wide	\$237
1625878	8" Spillshield, 10 gauge, 96" wide	\$159
1621508	12" Spillshield, 10 gauge, 96" wide	\$225

<b>Select Spillshields Bodies 96" Wide</b>		
<b>Part #</b>	<b>Description</b>	<b>Price</b>
1621827	6" Spillshield, 10 gauge, 96" wide	\$156
1621495	8" Spillshield, 10 gauge, 96" wide	\$188
1621644	8" Spillshield, 7 gauge, 96" wide	\$203
1621502	10" Spillshield, 10 gauge, 96" wide	\$194
1621736	10" Spillshield, 7 gauge, 96" wide	\$248
1621499	12" Spillshield, 10 gauge, 96" wide	\$243
1621514	12" Spillshield, 7 gauge, 96" wide	\$258
1621875	14" Spillshield, 10 gauge, 96" wide	\$243
1621517	18" Spillshield, 10 gauge, 96" wide	\$315
1621656	18" Spillshield, 7 gauge, 96" wide	\$380

Prices Effective August 26, 2018  
 All Prices and Specifications  
 Subject to Change Without Notice



**800-533-0494**  
**sales@crysteel.com**

**Cabshields**  
**Crysteel Select Bodies 5-15 Yard**

Part #	Straight Front Cabshields	Price
1621579	16" - 1/4 Cabshield, 10 ga., 88 1/2" wide	\$399
1621584	16" - 1/4 Cabshield, 7 ga., 88 1/2" wide	\$477
1621580	24" - 1/2 Cabshield, 10 ga., 88 1/2" wide	\$560
1621585	24" - 1/2 Cabshield, 7 ga., 88 1/2" wide	\$623
1621592	30" - 3/4 Cabshield, 10 ga., 88 1/2" wide	\$615
1621692	30" - 3/4 Cabshield, 7 ga., 88 1/2" wide	\$698
1621581	40" - Full Cabshield, 10 ga., 88 1/2" wide	\$758
1621586	40" - Full Cabshield, 7 ga., 88 1/2" wide	\$890
1621933	24" - 1/2 Cabshield, 10 ga. Load Bearing 88 1/2" wide	\$950
1645252	Free Standing 1/2 Cabshield (24") 10 ga.	\$1,166
1645256	Free Standing - Full (40") 10 ga.	\$1,436

Part #	Sloped Front Cabshields	Price
1623009	24" - 1/2 Cabshield, 10 ga., 60" wide	\$440
1624113	24" - 1/2 Cabshield, 7 ga., 60" wide	\$476
1623002	24" - 1/2 Cabshield, 10 ga., 78" wide	\$491
1625947	24" - 1/2 Cabshield, 7 ga., 78" wide	\$495

Part #	Straight Front Cabshields - Right Side Loose*	Price
1645824	16" -1/4 Cabshield - right side loose, 10 ga., includes upright	\$410
1645825	16" -1/4 Cabshield - right side loose, 7 ga., includes upright	\$501
1645826	24" -1/2 Cabshield - right side loose, 10 ga., includes upright	\$548
1645827	24" -1/2 Cabshield - right side loose, 7 ga., includes upright	\$585
1645828	30" -3/4 Cabshield - right side loose, 7 ga., includes upright	\$771
1645829	40" -Full Cabshield - right side loose, 10 ga., includes upright	\$840
1645830	40" -Full Cabshield - right side loose, 7 ga., includes upright	\$924

Part #	Sloped Front Cabshields - Right Side Loose*	Price
1645831	24" -1/2 Cabshield - right side loose, 10 ga., includes upright	\$516
1645832	24" -1/2 Cabshield - right side loose, 7 ga., includes upright	\$585

\*The right side is left loose so modifications can be made for the exhaust

Prices Effective August 26, 2018  
 All Prices and Specifications  
 Subject to Change Without Notice



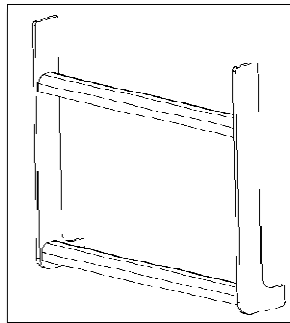
800-533-0494  
 sales@crysteel.com

## Ladders 5 - 15 Yard

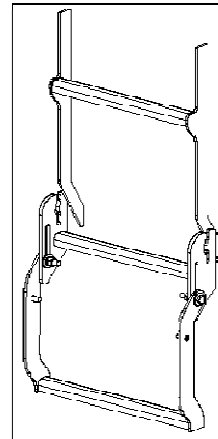
### Weld On Ladders

### Folding Ladders

Side Height	# Of Rungs	2-1/4" Tread Grip	Side Height	# Of Rungs	1-5/8" Tread Grip
26" - 30"	1	\$96 1624967	26" - 38"	1 Upper / 1 Lower	\$216 1624971
32" - 46"	2	\$146 1624968	40" - 50"	2 Upper / 1 Lower	\$293 1624972
48" - 58"	3	\$210 1624969	52" - 56"	3 Upper / 2 Lower	\$407 1624973
60" - 70"	4	\$228 1624970	58" - 62"	3 Upper / 3 Lower	\$410 1624974
			64" - 70"	4 Upper / 3 Lower	\$450 1625565



**Weld On Ladder**



**Folding Ladder**